

UNIQUE LIGHTING SYSTEMS

*Professional Low Voltage Lighting
Product Catalog*



UNIQUE LIGHTING SYSTEMS

We didn't invent low voltage lighting, we reinvented it...



Contents

At a Glance



Why Unique.....page 1

Unique Wiring Systems.....pages 2-3

Lighting Assets.....page 4-5

Hubs.....page 6

Odyssey Fixtures.....pages 7-32

Signature Series Fixtures.....pages 33-42

Copper Knights Fixtures.....pages 43-52

Brass Knights Fixtures.....pages 53-60

Well Lights.....page 61

Transformers.....pages 62-63

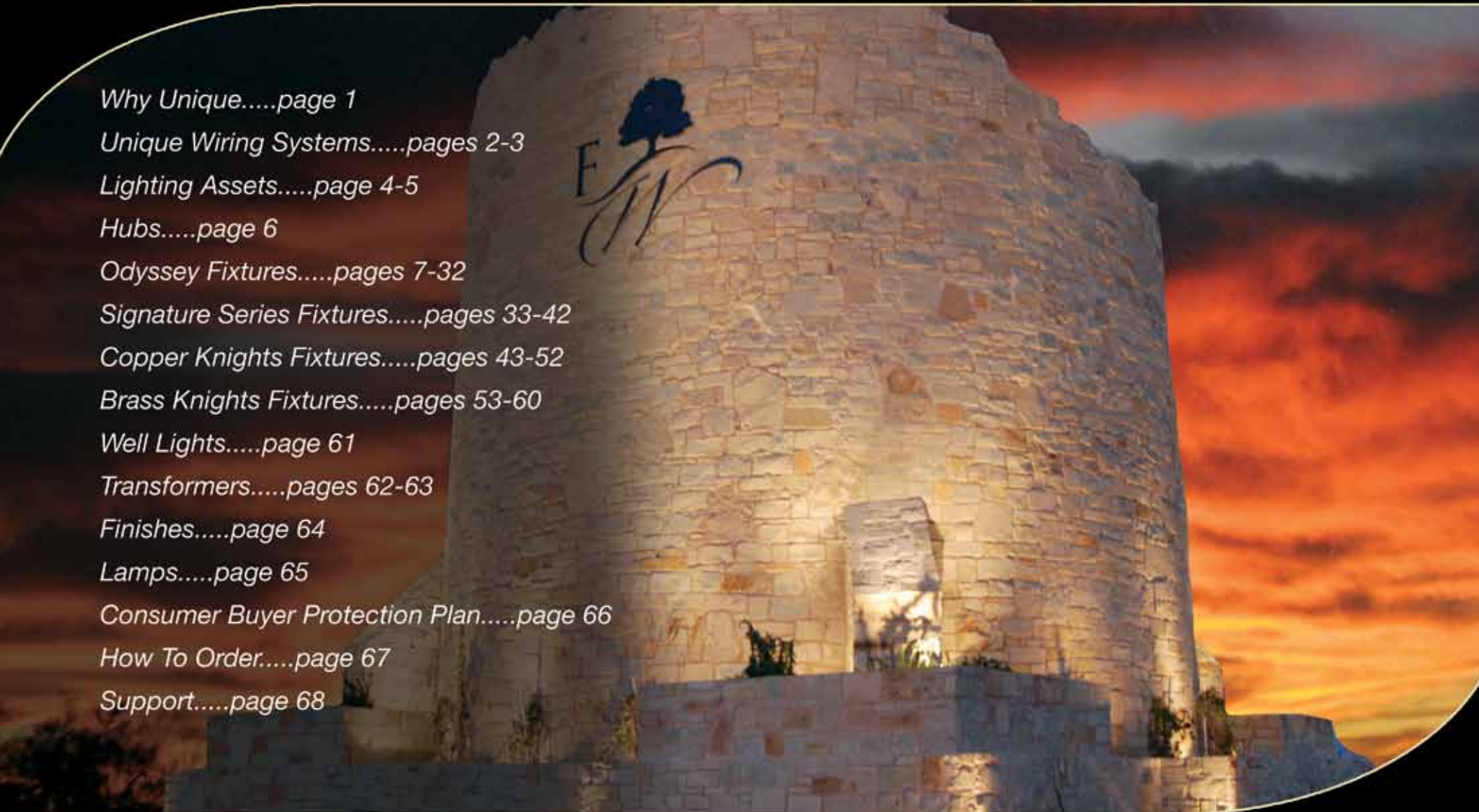
Finishes.....page 64

Lamps.....page 65

Consumer Buyer Protection Plan.....page 66

How To Order.....page 67

Support.....page 68





Lighting Assets



Peace of Mind

Unique Lighting Systems holds more industry leading product patents than any other company in the industry.

Unique Lighting Systems holds the ONLY patent for the Equalizer Hub Method of Wiring. PATENT # 7,699,481

Unique Lighting was the first to develop the Multi-Tap Transformer.

Unique Lighting Systems is the ONLY manufacturer to offer a Specification Design and Support Program.

Unique Lighting Systems is the ONLY manufacturer to offer a Consumer Buyer Protection Plan.

Unique Lighting Systems is locally owned with a local factory workforce.



**United States Patent
- US 7,699,481 B2 -
Method Of Wiring
Lighting Fixtures
To Achieve Uniform
Voltage Drop**

What Is Claimed by



1. A method for wiring an outdoor lighting fixture...

...the invention throughout the United States of America for a term of seventeen years, or twenty years if filed on or after March 1, 1989, from the filing date of this patent, subject to the provisions as provided by law.



Lighting Assets



Landscape Lighting Design and Consultation

Vision, concept, and years of experience play a key role in the presentation of lighting. Unique Lighting Systems offers a service called Specification Design Support Program (SDSP). This system can assist you with your lighting design from concept to install.

Unique wants all of their customers to be satisfied with their products. To ensure this satisfaction, Unique has developed the Consumer Buyer Protection Plan which guarantees both high quality installation and a high quality product. All Unique products are built from the highest quality materials and are designed to last as long as your home. Unique has placed a lifetime warranty on both Odyssey and Signature Series lines, solidifying our belief that our products are truly superior.



A professionally landscaped property is a sure ticket to quick resale. It gives a home curb appeal, a sense of place and value. It's the first thing you see... That first impression can add 20 percent to your home's value, a figure that rivals the return on a new kitchen or bath.



Lighting Assets



Safety and Security

Landscape lighting is one of the most practical and effective ways to prevent crime in or around your home or office. In fact, statistics show that a well-lit property cannot prevent malicious activity or guarantee personal safety, but crimes are less likely to occur because lighting is an excellent deterrent. A landscape lighting system is a deterrent because it exposes the criminal, making them feel vulnerable and insecure. Criminals most likely look for areas with little to no lighting, for obvious reasons. Homeowners on the other hand, can benefit from a landscape lighting system that can brighten an otherwise overlooked and dark surrounding.



A Quality Investment

More and more homeowners are realizing the importance of quality. This is why at Unique Lighting Systems, all of our products are made to stand the test of time. We view our products as a quality investment.





Product Comparison



Use this chart to compare Unique Lighting products to the competitors.

| FEATURE | Signature Series | Odyssey | Copper Knights | Brass Knights | Competitor X |
|-------------------------|-------------------------|----------------|-----------------------|----------------------|---------------------|
| Warranty | Lifetime | Lifetime | 15 Year | 15 Year | |
| Construction | Solid Brass | Solid Brass | Stamped Copper | Stamped Brass | |
| Socket Construction | Beryllium | Beryllium | Beryllium | Beryllium | |
| Pre Greased Sockets | Yes | Yes | Yes | Yes | |
| Lenses Included | Yes | Yes | No | No | |
| Hex louvers Included | Yes | Yes | No | No | |
| Equalizer Hub Ready | Yes | Yes | Yes | Yes | |
| CBPP | Yes | Yes | Yes | Yes | |
| 25 Foot Wire Leads | Yes | Yes | Yes | Yes | |
| Greased O Rings | Yes | Yes | Yes | Yes | |
| Borosilicate Glass | Yes | Yes | Yes | Yes | |
| Convex Lenses | Yes | Yes | Yes | Yes | |
| Shrouds | Yes | Yes | Yes | Yes | |
| Mounting Hardware | Yes | Yes | Yes | Yes | |
| Brown Intelli-Flex Wire | Yes | Yes | No | No | |
| Orbital Lock Nut | Yes | Yes | Yes | Yes | |
| Tree Stratosphere | Yes | Yes | Yes | Yes | |
| Orbital Ball Mount | No | Yes | No | No | |
| 24 Volt System | Yes | Yes | Yes | Yes | |

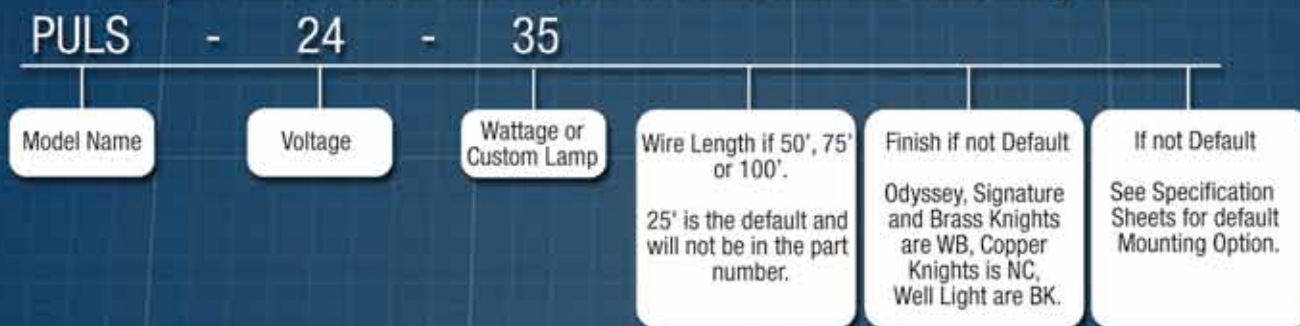
Unique Product Ordering



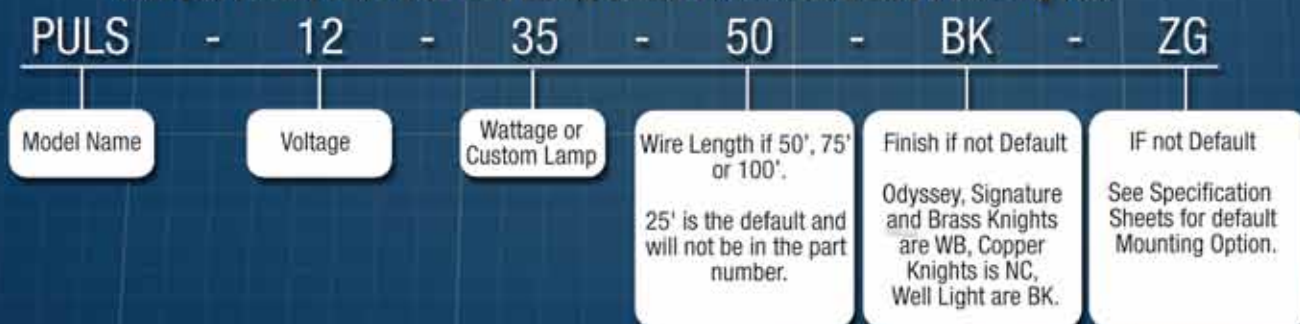
Product Ordering Information

Fixture part numbers contain vital information regarding model, voltage, wire length, lamp wattage or custom lamp number, finish and other available options. Below is a diagram of where this information is placed in the part number sequence when ordering.

Example: Pulsar, 24 Volt, 35 Watt Lamp, 25' Wire Lead, Weathered Brass, Gravity Stake



Example: Pulsar, 12 Volt, 35 Watt Lamp, Black Powdercoated, Zero G Docking Post





Why Unique?



S.M.A.R.T.E.R

As one of the low voltage lighting industry leaders for over 15 years, Unique Lighting Systems, Inc. continually strives to identify and incorporate the necessary principles of manufacturing to effectively develop innovative and durable products. Our theory of innovation is:

SEPARATION: The motivating force behind innovation is to develop products that are distinctly different from the standard.

MATERIAL: The use of materials that are most likely to withstand any environment or climate. All of our products are manufactured of the highest quality materials; Brass and Copper.

AWARENESS: Ease of product usability will help any user clearly identify the basic principles of design, installation and maintenance.

RUGGEDNESS: In addition to material selection, the quality of the individual components of our products will help ensure the longest life of the system.

TESTING: Before our products are tested using the ETL and TUV testing laboratories, they are put through our rigorous Total Quality Assurance Program. This program includes up to 62 separate testing procedures ranging from research and development to field performance testing

ENERGY: Energy & resource conservation is our priority in the development of our INTELLI-SYSTEM and Green Lite products.

RELIABILITY: With our Warranties, Consumer Buyer Protection Plan, System Integration AND numerous contractor and design support services, Unique Lighting Systems, Inc. is your best solution to low voltage lighting.

S.M.A.R.T.E.R: The theory behind innovation



Why Unique?



The Products

Unique Lighting Systems' highest commitment is to set the standard for manufacturing innovative and quality products. This commitment is evident through our detailed inspection processes and extensive field testing. From the initial design process of each product, to the final assembly of each custom-made individual part, our manufacturing process accomplishes the highest level of performance and durability carried through to final delivery to the end user. Durable construction and beautiful styling make Unique fixtures the ideal solution for any residential and/or commercial application. Unique Lighting already holds numerous product patents and we are constantly developing innovative ideas to help expand the lighting industry.

The System

Exclusive to Unique Lighting, the **Power Management System** was inspired by years of experience and expertise in the landscape lighting industry. Using the **Power Management System** will enable the installer to overcome voltage drop, prevent fuse corrosion and increase ease of fixture adjustability and placement.

Support and Protection

Unique Lighting is dedicated to quality control by providing extensive training support and comprehensive protection programs. Our **Consumer Buyer Protection Plan** guarantees the system and confirms our commitment to Contractors, Designers and Homeowners. Through these various support programs you can be assured that every Unique Lighting system will remain safe, beautiful and functional.



Unique Consumer Buyer Protection



What Is It?

The Consumer Buyer Protection Plan is a simple yet thoroughly drafted plan for the installer to go through a few procedures to guarantee "Zero Call Backs" to the job site. Along with a 100% perfectly installed system. If an installer uses only Unique Lighting Products for the complete lighting system (transformer, fixtures, wire, connectors and hubs) we are now able to ensure the system against corrosion, wicking, oxidation and polarity issues.

How It Works

Since we are unable to warranty workmanship the Consumer Buyer Protection Plan serves as a check system to ensure your contractor is installing your system correctly. The key is the Verification Forms; the installer must perform 3 critical functions to ensure us and the client:

- No Overloads
- No Shorts
- 11.5 or 23.5 volts to the lamps
- Not to be under-volted
- Not to be over-volted
- No blown fuses
- THE PERFECT INSTALLATION

It's as Easy as 1-2-3:

1st - Fill out the Verification Form

- Check the primary amps on the transformer with an Amp Probe (not to exceed the max. rating)
- Makes sure there are no more than 16 amps on secondary side 12 or 24 volts to the Hub

2nd - Complete the Lamp Replacement Chart

3rd - Complete the As-Built

When the installer has completed this thorough inspection process, the system's integrity can be ensured. Please contact a representative at 800-955-4831 for more Consumer Buyer Protection Plan benefits!



Product Focus

New Products

UNIQUE LIGHTING SYSTEMS, INC.

Unique Lighting Systems commitment to manufacturing quality and innovative products is evident in that we hand build and test every fixture and transformer we sell. This commitment begins with the design process and is accomplished through the manufacturing of each proprietary, custom-made part that goes into each and every one of our fixtures and transformers and is carried through to final delivery of our products to the end-user.



The H-Force is the newest design in transformers. Available in three different wattage options, 1120, 1500 and 1838, the H-Force is the most powerful transformer in the low voltage lighting industry. **Features Include:** Individually fused commons for each tap, 2 piece drop-in mounting system, hardware compartment, SNPC ready and a hinged lid and front panel for easy access. Available in 12 and 24 volt. The H-Force is PATENT PENDING.



Our new series of architectural bollards combines contemporary styling with durable, vandal resistant construction. Provides smooth, 360 degree symmetrical low level illumination with available cutoff optics. An excellent choice for walkways, entrances, promenades, plazas, courtyards, driveways, bridges and landscaped areas. Available in numerous styles and housings. Available in 120 volt.



Unique Lighting Systems' Subterranean transformer is fully potted and sealed making it completely waterproof. Equipped with primary fuse protection and optional secondary in-line fusing, the Subterranean is ideal for commercial projects or residential applications where concealing the powersource is necessary. **Features Include:** Single unit design, compact footprint, removable plug in lid for fixture mounting - 1/2-14 NPSM and separated primary and secondary compartments.



UPB is a Patented technology that provides an inexpensive and reliable solution for residential automation. No other Powerline carrier technology can compare to UPB in cost per node and reliability. The UPB method of communication is 100 ~ 1000 times more reliable than current X-10 technology. No need to "FIX" the electrical system by adding couplers, repeaters or filters. UPB is over 99.9% reliable out of the box.



The Intelli-Hub is the ultimate in in-line fuse protection allowing you to size the fuse according to the load or wire size. Unique includes 5 replaceable fuses and a 20 amp fuse at the point of connection to make troubleshooting accessible, convenient and fast. The Intelli-Hub ensures proper voltage distribution and can be used with one or more fixtures.



Our revolutionary Intelli-Fiber lighting system allows you to add a 24 volt fiber optic light source and fixtures within 5 feet of pools, spas, and water features. Our Intelli-Fiber Kits provide 24 volt light sources guided through fiber optic cable that terminate in our custom designed fixtures. Fiber Optic produces no voltage or heat at the fixture, making it NEC code compliant for pool, spa, and water features. You can now legally put lights in places you may have previously never thought possible.



UNIQUE LIGHTING SYSTEMS, INC.

Unique Milestones



Timeline of Unique Lighting Systems milestones:

- 1989: [Image of a light fixture]
- 1995: [Image of two electrical boxes]
- 1997: [Image of a sign for Unique University Lighting]
- 1999: [Image of a light fixture]
- 1999: [Image of a CD-ROM labeled 'Wiring Wizard']
- 2000: [Image of a light fixture]
- 2001: [Image of three circular lenses labeled 'Designer Lenses']
- 2001: [Image of a circular logo for 'UNIQUE LIGHTING ODYSSEY 240 VOLTAGE LIGHTING']
- 2002: [Image of a light fixture]
- 2004: [Image of a decorative shield logo for 'COPPER KINGDOMS']
- 2004: [Image of a light fixture]
- 2005: [Image of an electrical panel]
- 2005: [Image of a light fixture]
- 2005: [Image of an oval logo for 'Signature UNIQUE Series']
- 2007: [Image of a light fixture]
- 2008: [Image of a circular logo for 'Intelli-System Low Voltage Lighting' with 'ecoillumination' below it]
- 2009: [Image of an electrical panel]
- 2009: [Image of a light fixture]
- 2009: [Image of a diamond-shaped logo for 'Green Light']
- 2009: [Image of an electrical panel]

Unique Milestones



- 1989 - Unique Lighting invents the FIRST Multi-Tap transformer for low voltage lighting
- 1995 - Unique Lighting invents the FIRST Multi-Matic Direct Burial transformer
- 1997 - Unique Lighting offers landscape lighting training courses to contractors
- 1999 - Unique Lighting invents the Wiring Wizard software to calculate voltage drop
- 1999 - Unique Lighting introduces the FIRST secondary lug Multi-Matic transformers
- 2000 - Unique Lighting becomes the FIRST manufacturer to offer 25' wire leads on fixtures
- 2000 - Unique Lighting invents the Equalizer Hub
- 2001 - Unique Lighting launches the Odyssey line of brass fixtures with a Lifetime Warranty
- 2001 - Unique Lighting includes lenses and glare control devices with lighting fixtures
- 2002 - Unique Lighting invents the Orbital Mount and Stratosphere Mounting Bracket
- 2003 - Unique Lighting offers advanced Unique Universities to contractors
- 2004 - Unique Lighting launches the Copper Knights line of copper fixtures
- 2004 - Unique Lighting invents the Satellite Hub
- 2005 - Unique Lighting launches the Signature Series line of fixtures
- 2005 - Unique Lighting invents the I-Force inverted transformer
- 2005 - Unique Lighting invents the Sequencer on/off device for transformers
- 2006 - Unique Lighting invents the Augusta in-ground putting green light
- 2007 - Unique Lighting enhances step lights by adding adjustment plates for installation
- 2008 - Unique Lighting launches the Intelli-System 24 Volt wiring system
- 2009 - Unique Invents the H-Force horizontal transformer
- 2009 - Unique Lighting offers Green Light products
- 2009 - Unique Lighting offers UPB control panels



Unique 12 Volt Equalizer Hub System



Exclusive to Unique Lighting, The Power Management System was designed from years of experience and expertise in the landscape lighting industry. Unique's Power Management System was designed to overcome some of the most common hurdles experienced in landscape lighting which include, voltage drop, fuse corrosion, inability to easily move fixtures, leaving the homeowner unable to continue to have a dynamic lighting portrait as the landscape grows and changes.

How The Power Management System Works (12 or 24 volt)



The Multi-Matic Power Transformer

With independent voltage taps ranging from 12 to 24 volts the Multi-Matic compensates for voltage drop from the transformer to the hub and delivers proper voltage to each hub with the ability to have multiple hubs.



The Satellite Hub and Galaxy Hub

Distributes the proper voltage evenly to every fixture and protects wire connections below ground. The secondary in-line fuse at the hub allows fuse protection with varying fuse sizes according to amp load and wire size.



The Fixtures

The fixtures complete the system...all Unique fixtures include 25' lead wires, factory sealed and connected (additional lengths available upon request). The wire leads eliminate the need for sealed wire nuts. All connections are sealed and protected at the Satellite or Galaxy Hub.



Unique 24 Volt Hub System



With conservation efforts at the forefront of global consumption concerns, Unique Lighting Systems has made a commitment not only to conserve energy and raw materials, but also to bring value to the consumer. Our new 24 volt System does just that. With our new Astro-Green lamps, Intelli-Matic transformers, Intelli-Flex wire and Hub Wiring System, you will now experience twice the benefits and twice the savings than that of a Unique 12-Volt system. Unique Lighting Systems' 24 volt system combines the advantages of a line voltage system with the ease and safety of a low voltage system. The Hub Method of wiring combines design flexibility with efficiency; you will also experience reduced material costs, labor reductions and energy savings. We are the first and only lighting manufacturer to develop and promote these intelligent, resource-minded products.

BENEFITS OF A 24 VOLT HUB SYSTEM:

- Save Up to 80% on wire expenses
 - Labor savings from less wire runs & lighter gauge wire
 - Wire cost savings from less wire runs & lighter gauge wire.
- Transformer Efficiency- Reduces energy usage up to 20%
- Secondary Amperage load reduced by 50%
- Voltage Drop reduced by 50%
- Color Rendition- Lumen output is more consistent with lower voltage loss between lamps.
- Halogen Regeneration Cycle is expanded:
 - 12-Volt- 10.8 to 12 Volts (1.2V Range)
 - 24-Volt- 21.6 to 24 Volts (2.4V Range)
- PATENT # 7,699,481



Wire
12/2 Intelli-Flex high wattage
cable with 480 watt max. at 24 volts.

The Satellite Hub

Distributes proper voltage evenly to every lamp and eliminates wire connections below ground.



The Fixtures with Astro-Green Lamps

The fixtures complete the Intelli-System. All Unique fixtures come pre-wired from 25 to 75 feet.



UNIQUE LIGHTING SYSTEMS, INC.

Wiring Comparison



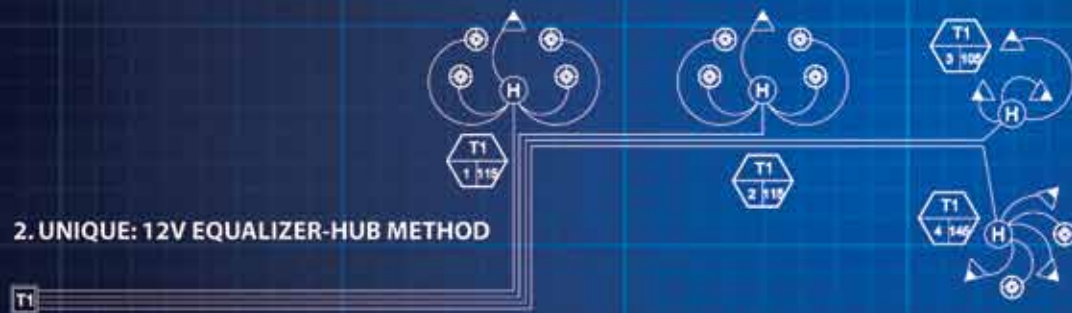
- 1. UNIQUE LIGHTING 24V HUB METHOD
PROPER VOLTAGE
- 2. UNIQUE LIGHTING 12V EQUALIZER HUB METHOD
PROPER VOLTAGE
- 3A. 12V COMPETITOR X
UNDER VOLTED
ALL 12/2 WIRE
- 3B. 12V COMPETITOR X
UNDER VOLTED
12/2 & 10/2 WIRE
- 3C. 12V COMPETITOR X
PROPER VOLTAGE
12/2, 10/2 & 8/2 WIRE

| RUN NUMBER | NUMBER OF FIXTURES | LENGTH OF WIRE FROM FIXTURE TO P.O.C | BRANCH RUN | WIRE FROM FIXTURE TO FIXTURE | CONNECTIONS | WIRING METHOD | WIRE SIZE | HOMERUN WATTS | BRANCH WATTS | VOLTS | AMPS | VOLTAGE DROP | ADD ONE VOLT DROP | TOTAL VOLTAGE DROP | PLUS 12 OR 24 TAP NEEDED | AVAILABLE TAP | VOLTAGE AT P.O.C. | COST OF WIRE AND CONNECTIONS |
|------------|--------------------|--------------------------------------|------------|------------------------------|-------------|---------------|-----------|---------------|--------------|-------|------|--------------|-------------------|--------------------|--------------------------|---------------|-------------------|------------------------------|
| 1 | 5 | 65 | 0 | 2 | H | 12 | 12 | 480 | 24 | 20 | 4.21 | 1 | 5.21 | 24 | 29 | 29 | 23.8 | \$21.25 |
| 1 | 5 | 50 | 0 | 2 | H | 12 | 115 | 12 | 10 | 1.55 | 1 | 2.55 | 12 | 15 | 15 | 12.45 | | |
| 2 | 5 | 75 | 0 | 2 | H | 12 | 115 | 12 | 10 | 2.33 | 1 | 3.33 | 12 | 15 | 15 | 11.67 | | |
| 3 | 3 | 115 | 0 | 2 | H | 12 | 105 | 12 | 9 | 3.26 | 1 | 4.26 | 12 | 16 | 16 | 11.74 | | |
| 4 | 5 | 130 | 0 | 2 | H | 12 | 145 | 12 | 12 | 5.09 | 1 | 6.09 | 12 | 18 | 18 | 11.91 | | |
| \$112.50 | | | | | | | | | | | | | | | | | | |
| 1 | 5 | 70 | 40 | 10 | T | 12 | 115 | 12 | 9.58 | 2.17 | 1 | 3.17 | 12 | 15 | 14 | 10.83 | | |
| 2 | 5 | 95 | 40 | 10 | T | 12 | 115 | 12 | 9.58 | 2.95 | 1 | 3.95 | 12 | 16 | 14 | 10.05 | | |
| 3 | 3 | 115 | 30 | 6 | T | 12 | 105 | 12 | 8.75 | 3.26 | 1 | 4.26 | 12 | 16 | 14 | 9.74 | | |
| 4 | 5 | 130 | 40 | 10 | T | 12 | 145 | 12 | 12.1 | 5.09 | 1 | 6.09 | 12 | 18 | 14 | 7.91 | | |
| \$230.00 | | | | | | | | | | | | | | | | | | |
| 1 | 5 | 70 | 40 | 10 | T | 10 | 115 | 12 | 9.58 | 1.45 | 1 | 2.45 | 12 | 14 | 14 | 11.55 | | |
| 2 | 5 | 95 | 40 | 10 | T | 10 | 115 | 12 | 9.58 | 1.97 | 1 | 2.97 | 12 | 15 | 14 | 11.03 | | |
| 3 | 3 | 115 | 30 | 6 | T | 10 | 105 | 12 | 8.75 | 2.17 | 1 | 3.17 | 12 | 15 | 14 | 10.83 | | |
| 4 | 5 | 130 | 40 | 10 | T | 10 | 145 | 12 | 12.1 | 3.39 | 1 | 4.39 | 12 | 16 | 14 | 9.61 | | |
| \$291.50 | | | | | | | | | | | | | | | | | | |
| 1 | 5 | 70 | 40 | 10 | T | 10 | 115 | 12 | 9.58 | 1.45 | 1 | 2.45 | 12 | 14 | 14 | 11.55 | | |
| 2 | 5 | 95 | 40 | 10 | T | 8 | 115 | 12 | 9.58 | 1.17 | 1 | 2.17 | 12 | 14 | 14 | 11.83 | | |
| 3 | 3 | 115 | 30 | 6 | T | 10 | 105 | 12 | 8.75 | 1.29 | 1 | 2.29 | 12 | 14 | 14 | 11.71 | | |
| 4 | 5 | 130 | 40 | 10 | T | 8 | 145 | 12 | 12.1 | 2.01 | 1 | 3.01 | 12 | 15 | 14 | 10.99 | | |
| \$414.50 | | | | | | | | | | | | | | | | | | |

24 VOLT SYSTEM LABOR SAVINGS: \$????
 YOU SAVE ON: Fixtures/Connections
 Homerun Pulling
 Transformer Hookup
 Wire Burial

| TOTAL SAVINGS: | 1 Over 2 | 1 Over 3A | 1 Over 3B | 1 Over 3C |
|----------------|------------------|-------------------|-------------------|-------------------|
| | \$112.50 | \$230.00 | \$291.00 | \$414.00 |
| | - \$21.25 | - \$21.25 | - \$21.25 | - \$21.25 |
| | = \$91.25 | = \$208.75 | = \$269.75 | = \$392.75 |
| | + \$??????? | + \$??????? | + \$??????? | + \$??????? |
| TOTAL | = \$91.25 | = \$208.75 | = \$269.75 | = \$392.75 |

Wiring Comparison



- 1. UNIQUE LIGHTING INTELLI-HUB METHOD**
 PROPER VOLTAGE
 ALL 12/2 Wire
 TOTAL WIRE COST: \$21.25
- 2. UNIQUE LIGHTING EQUALIZER HUB METHOD**
 PROPER VOLTAGE
 ALL 12/2 Wire
 TOTAL WIRE COST: \$112.50
- 3A. COMPETITOR X T-METHOD**
 UNDER VOLTED
 ALL 12/2 WIRE
 TOTAL WIRE COST: \$230.00
- 3B. COMPETITOR X T-METHOD**
 UNDER VOLTED
 12/2 & 10/2 WIRE
 TOTAL WIRE COST: \$291.00
- 3C. COMPETITOR X T-METHOD**
 PROPER VOLTAGE
 12/2, 10/2 & 8/2 WIRE
 TOTAL WIRE COST: \$414.50



Unique Hubs



Features & Benefits



In addition to having the highest quality parts, you need to have an integrated system to create a cohesive lighting portrait. There are three main problems that can ruin a great lighting portrait; poor light output, wicking and corrosion at the point of connection. To eliminate these problems, Unique has developed the Equalizer Hub Wiring System. Using the Multi-Matic Power Transformer, the Equalizer Hub Wiring System and our top of the line fixtures, Unique has created the only system that produces even lighting output at every fixture and allows for relocation of fixtures at any time. The Hub System ensures proper voltage distribution and can be used with one or more fixtures. Unique Lighting's Odyssey and Signature Series fixtures come with a 25 to 100 foot wire lead that taps into the Hub, creating a simple and maintenance-free lighting system.



Equalizer Hub



Satellite Hub



Galaxy Hub



Intelli-Hub



Odysse Series Fixtures



Unique Lighting Systems' Odysse line of fixtures is the final step in creating the perfect outdoor atmosphere. The pride of Unique Lighting Systems, the Odysse line is the result of years of research, development and determination to create the most elite lighting fixtures available. Experience the marriage of beauty and durability as each Odysse fixture is built from solid brass and designed to last a lifetime. Coupled with Unique's Power Management System, the Odysse line is one of the most dependable and beautiful lighting systems on the market.

All Odysse Fixtures Come Standard With

- 25 to 50 foot Intelli-Flex wire leads on all fixtures with Anti-Moisture Migration Connections
- Mounting hardware or stakes
- Full assortment of tempered designer lenses
- Glare control device
- Pre-greased sockets
- Lamps





Brass Up Light Pulsar



Model Shown: PULS-12-35



Product Description

One of the most resourceful fixtures in the Odyssey line, the Pulsar offers style and function without compromise. Its sleek straight lines, lock and load shroud feature and Hex Louver insert make the Pulsar an essential fixture when lighting palms, trees, columns and other tall elements in the landscape.

The Pulsar can be also utilized for back lighting, graze lighting, shadow lighting or simply as a directional up light.

Specifications

- Voltage:** 12 & 24 Volt
- Construction:** Cast Brass
- Finish:** Weathered Brass
- Knuckle:** Cast Brass, Adjustable
- Socket:** Beryllium Copper, pre-greased
- Shroud:** Lock and Load, 360 Rotation
- Mounting:** Brown PVC Gravity Stake
- Weight:** 2.35 lbs.
- Wire:** 25 Feet, Intelli-Flex Wire, Anti-Moisture Migration Connections
- Default Lamp:** 35 Watt MR-16 FMW,
- Other Lamps Available Upon Request**
- Maximum Wattage:** 35 Watts
- Full Lens Kit and Hex Louver**
- PATENT # D495,079**



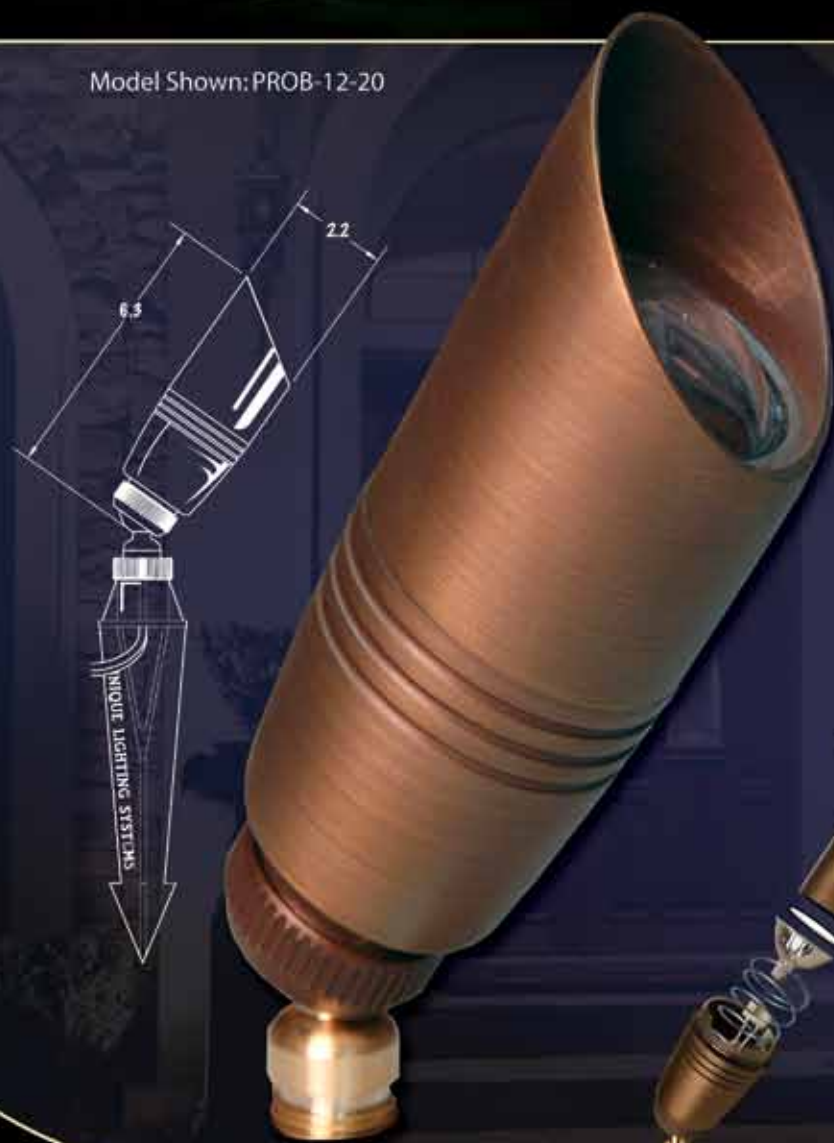
Designer
Lenses
Included



Brass Up Light Probe-OBM



Model Shown: PROB-12-20



Revolutionary ball and joint orbital mount.



Product Description

The Probe is enhanced by a revolutionary ball and joint Orbital Mount allowing a 360° rotation, thus giving 100% accuracy when dialing in the proper lighting angle. The Probe is ideal when up-lighting is challenged by a small installation area. Featuring a lock and load shroud the Probe is enhanced by a revolutionary ball and joint swivel mount allowing a 360° rotation, thus giving 100% accuracy when dialing in the proper lighting angle. The petite die cast brass body houses a MR16, 20 Watt Halogen bulb.

Specifications

- Voltage:** 12 & 24 Volt
- Construction:** Cast Brass
- Finish:** Weathered Brass
- Socket:** Beryllium Copper, pre-greased
- Shroud:** Lock & Load, 360° Rotation
- Knuckle:** Ball and Joint, 360° Orbital Mount
- Mounting:** Brown Gravity Stake
- Weight:** 1.7 lbs.
- Wire:** 25 Feet, Intelli-Flex Wire, Anti-Moisture Migration Connections
- Default Lamp:** 20 Watt MR-16 BAB
- Other Lamps Available Upon Request**
- Maximum Wattage:** 35 Watts
- Full Lens Kit and Hex Louver**
- PATENT # D519,662**



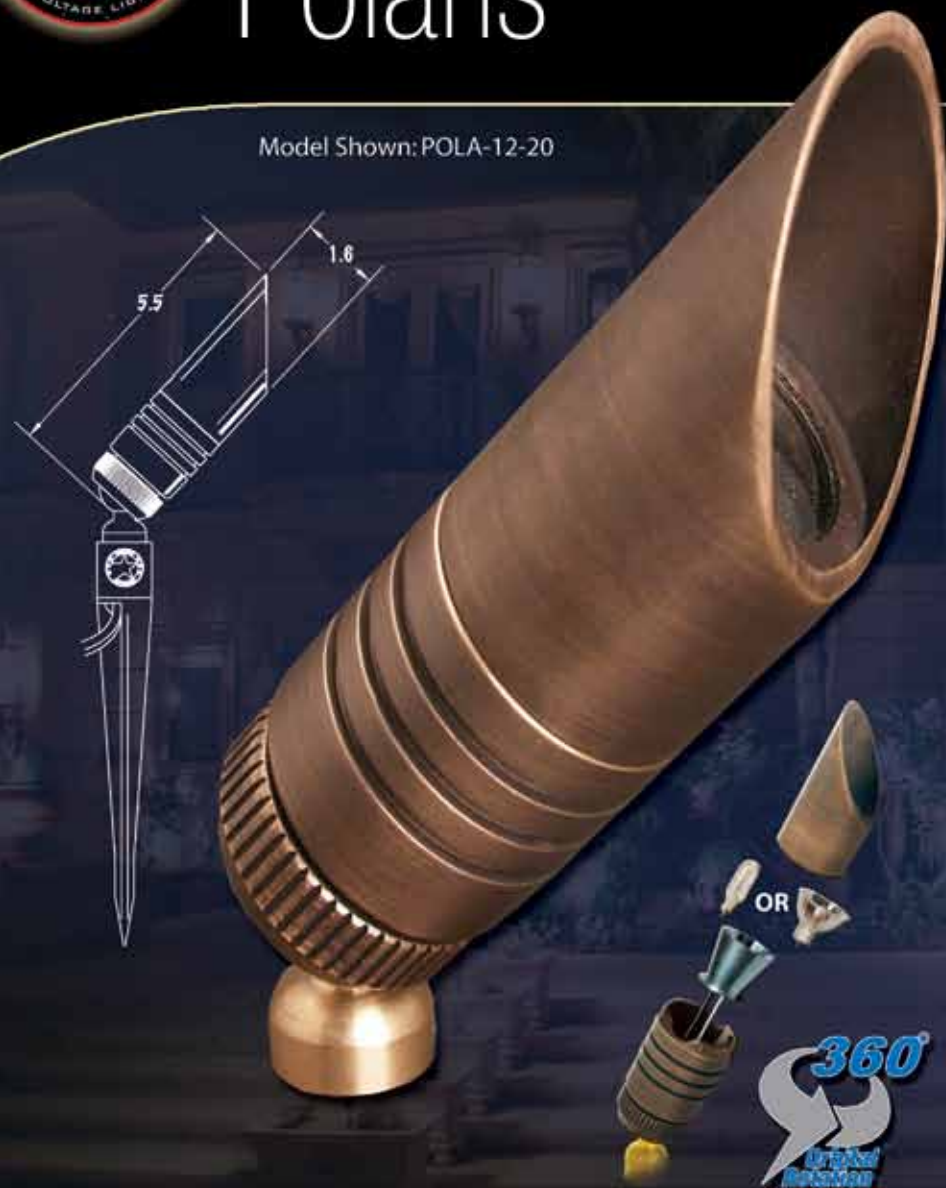
Designer Lenses
Included



Brass Up Light Polaris



Model Shown: POLA-12-20



Product Description

The Polaris is ideal when up lighting is challenged by a small installation area. Featuring a lock and load shroud the Polaris is enhanced by a revolutionary ball and joint swivel mount allowing a 360° rotation, thus giving 100% accuracy when dialing in the proper lighting angle. The petite die cast brass body houses a 20 Watt MR-11 Halogen bulb or a 20 Watt Astro-Brite.

The Polaris is the perfect fixture for graze lighting, cross lighting or simple accent lighting.

Specifications

- Voltage:** 12 & 24 Volt
- Construction:** Cast Brass
- Finish:** Weathered Brass
- Socket:** Beryllium Copper, pre-greased
- Shroud:** Lock & Load, 360° Rotation
- Knuckle:** Ball and Joint, 360° Orbital Mount
- Mounting:** Fusion Stake
- Weight:** 1.65 lbs.
- Wire:** 25 Feet, Intelli-Flex Wire, Anti-Moisture Migration Connections
- Default Lamps:** 20 Watt Astro-Brite/Astro-Green
20 Watt MR-11
- Other Lamps Available Upon Request**
- Maximum Wattage:** 20 Watts
- Full Lens Kit and Hex Louver**





Brass Up Light Starburst

Model Shown: STAR-12-35

Product Description

Capable of the most versatile installation applications, the Starburst functions as both a directional up-light or a wall washer fixture. This 8 in 1 fixture features an unprecedented dual socket mount system allowing you to install a vertical MR-16 for directional up-lighting or a horizontal Astro-Brite lamp for wall washing when necessary. Both lamps are included with every Starburst for maximum design adaptability.

Specifications

- Voltage:** 12 & 24 Volt
- Construction:** Cast Brass
- Finish:** Weathered Brass
- Knuckle:** Cast Brass, Adjustable
- Sockets:** Beryllium Copper, pre-greased
- Mounting:** Brown PVC Gravity Stake
- Weight:** 4.1 lbs.
- Wire:** 25 Feet, Intelli-Flex Wire, Anti-Moisture Migration Connections
- Default Lamps:** 35 Watt MR-16 FMW or 35 Watt Astro-Brite/Astro-Green(Both Included)
- Other Lamps Available Upon Request**
- Maximum Wattage:** 35 Watts
- Full Lens Kit and Hex Louver**
- PATENT # D550,877**

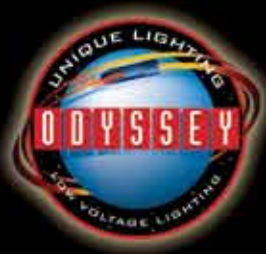
Designer Lenses



Front Mounted MR16

Side Mounted Astro-Brite





Brass Up Light Stellar



Model Shown: STEL-12-20



Product Description

The Stellar is one of the most versatile fixtures in the Odyssey line. The Stellar mini wall washer is a powerful fixture. Featuring a small die cast brass body, this undersized power house is able to illuminate planter areas, short retaining walls, step landings or any other area needing a soft glow. Advanced applications include under eaves or second story level lighting*.

*Sphere Base needed when installing the Stellar on a surface mount application.

Specifications

- Voltage:** 12 & 24 Volt
- Construction:** Cast Brass
- Finish:** Weathered Brass
- Socket:** Beryllium Copper, pre-greased
- Knuckle:** Cast Brass, Adjustable
- Mounting:** Fusion Stake
- Weight:** 1.55 lbs.
- Wire:** 25 Feet, Intelli-Flex Wire, Anti-Moisture Migration Connections
- Default Lamp:** 20 Watt Astro-Brite/Astro-Green
- Other Lamps Available Upon Request**
- Maximum Wattage:** 20 Watts
- Full Lens Kit**
- PATENT # D551,789**



Designer
Lenses
Included





Brass Up Light Big Bang



Model Shown: BIGB-12-35



Product Description

A powerful and heavy duty directional up-light, the Big Bang is perfect when illuminating trees, tall structures and vast spaces. The stainless steel lamp retainer secures lamp and lens in place, while the dual o-ring and locking shroud make installation fast and easy. The Big Bang can be ordered with a PAR 36 or MR-16 lamp.

The Big Bang can be used in numerous applications including back, shadow or graze lighting. It is also the perfect directional light to use when up lighting columns.

Specifications

- Voltage:** 12 & 24 Volt
- Construction:** Cast Brass
- Finish:** Weathered Brass
- Shroud:** 360° Rotation, Locking Hex Screw
- Knuckle:** Cast Brass, Adjustable
- Mounting:** Brown PVC Gravity Stake
- Weight:** 4.7 lbs.
- Wire:** 25 Feet, Intelli-Flex Wire
- Default Lamp:** 35 Watt PAR 36 WFL or 50 Watt MR-16
- Other Lamps Available Upon Request**
- Full Lens Kit and Hex Louver**
- Maximum Wattage:** 50 Watts
- PATENT # D90979**



Designer Lenses

Included





Brass Well Light Apollo



Model Shown: APOL-12-35



Shown with Apollo Glare Shield option



Product Description

Simple, discrete and versatile describes the Apollo's design and function. A powerful in-ground well light, the Apollo uses a PAR 36, 35 watt wide flood lamp to cast an ample beam spread against any landscape element. Its dual cut body allows for surface flush or angled installation options. The featured patented stainless steel gimble ring holds the lamp in place while allowing vertical and horizontal adjustments within the composite body. The Apollo also features a 2" brass debris guard to allow for above ground installation.

Specifications

- Voltage:** 12 & 24 Volt
- Construction:** Brass & ABS Composite
- Finish:** Weathered Brass
- Housing:** Terra Thermo Composite
- Debris Guard:** 2" Brass Debris Guard
- Mounting:** In Ground
- Weight:** 3.96 lbs.
- Wire:** 25 Feet, Intelli-Flex Wire
- Default Lamp:** 35 Watt PAR 36 WFL Halogen
- Other Lamps Available Upon Request**
- Maximum Wattage:** 50 Watts
- Full Lens Kit and Hex Louver**
- PATENT # 6,502,967**



Designer
Lenses
Included

Brass Well Light Nova



Model Shown: NOVA-12-20



Shown with NOVAINFINITYRING and NOVASTARGRATE accessories.



Cast brass ring Included

Product Description

Designed to provide in-ground lighting solutions, the Nova is ideal for up-lighting a variety of elements, from trees and shrubs to pillars and other vertical structures. The die cast brass shroud is a standard accessory designed to minimize glare while the designer lenses allow maximum design control by creating various beam spreads and light output.

Use the Nova as a back, side or accent light for the perfect grazing or shadow effect. Recess the Nova in hardscaping areas by utilizing the included PBT sleeve.

Specifications

- Voltage:** 12 & 24 Volt
- Construction:** Cast Brass
- Finish:** Weathered Brass
- Socket:** Beryllium Copper, pre-greased
- Mounting:** In Ground, PBT Concrete Sleeve Included
- Weight:** 2.3 lbs.
- Wire:** 25 Feet, Intelli-Flex Wire
- Shroud:** (2) Cast Brass Shroud Included with Captivated Screws
- Default Lamp:** 20 Watt MR-16 BAB
- Other Lamps Available Upon Request**
- Maximum Wattage:** 20 Watts
- Full Lens Kit and Hex Louver**



Designer Lenses
Included



Brass Well Light Nova Star



Model Shown: NOVS-12-20



Shown with NOVA INFINITY RING accessory.



Product Description

Designed to provide in-ground lighting solutions, the Nova Star is ideal for up-lighting a variety of elements, from trees and shrubs to pillars and other vertical structures. The die cast brass grate is a standard accessory designed to minimize glare while the designer lenses allow maximum design control by creating various beam spreads and light output.

Use the Nova Star as a back, side or accent light for the perfect grazing or shadow effect. Recess the Nova Star in hardscaping areas where an above ground light can't be used by utilizing the supplied PBT sleeving.

Specifications

- Voltage:** 12 & 24 Volt
- Construction:** Cast Brass
- Finish:** Weathered Brass
- Socket:** Beryllium Copper, pre-greased
- Mounting:** In Ground, PBT Concrete Sleeve Included
- Weight:** 2.3 lbs.
- Wire:** 25 Feet, Intelli-Flex Wire
- Shroud:** Cast Brass Grate Included with Captivated Screws
- Default Lamp:** 20 Watt MR-16 BAB
- Other Lamps Available Upon Request**
- Maximum Wattage:** 20 Watts
- Full Lens Kit and Hex Louver**



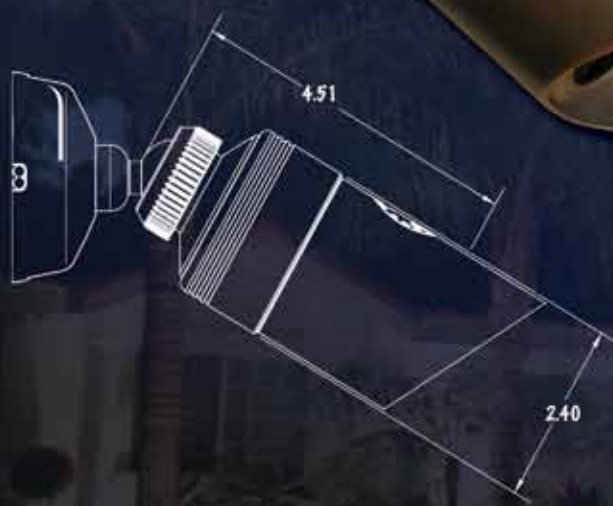
Designer
Lenses
Included



Brass Down Light Comet & Comet-HG

Model Shown: COMT-12-20

Model Shown: COMH-12-20



Product Description

Perfect for those hard to install under eave areas, the Comet is compact and versatile featuring a revolutionary ball and joint swivel mount allowing a 360° rotation. The Orbital Mount swivel is removable for a flush or recessed mounting option.

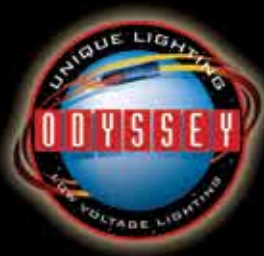
The Comet is also available with a 1' brass chain to be used as a hanging fixture (COMETHG).

Specifications

- Voltage:** 12 & 24 Volt
- Construction:** Cast Brass
- Socket:** Beryllium Copper, pre-greased
- Shroud:** Lock & Load, 360° Rotation
- Knuckle:** Ball and Joint, 360° Orbital Mount
- Mounting:** Cast Brass Sphere Base
1' Brass Hanging Chain (COMETHG)
- Weight:** 2.7 lbs. (COMET), 2.51 lbs. (COMETHG)
- Wire:** 25 Feet, Intelli-Flex Wire, Anti-Moisture Migration Connections
- Default Lamp:** 20 Watt MR-16 BAB
- Other Lamps Available**
- Full Lens Kit and Hex Louver**
- Maximum Wattage:** 20 Watts
- Dark Sky Compliant**



Designer Lenses
Included



Brass Down Light Lunar



Model Shown: LUNA-12-35

Product Description

Perfect for when installation conditions are recessed back or greater glare control is needed, the Lunar features a lock and load extended shroud. The versatile revolutionary ball and joint swivel mount allows a 360° rotation. The Lunar comes with the patented Stratosphere Bracket.

Specifications

- Voltage:** 12 & 24 Volt
- Construction:** Cast Brass
- Finish:** Weathered Brass
- Socket:** Beryllium Copper, pre-greased
- Knuckle:** Cast Brass, 360° Orbital Mount
- Mounting:** Stratosphere Bracket
- Weight:** 2.85 lbs.
- Wire:** 25 Feet, Intelli-Flex Wire, Anti-Moisture Migration Connections
- Default Lamp:** 35 Watt MR-16 FMW
- Other Lamps Available Upon Request**
- Maximum Wattage:** 35 Watts
- Full Lens Kit and Hex Louver**
- Dark Sky Compliant**
- Patent Pending**



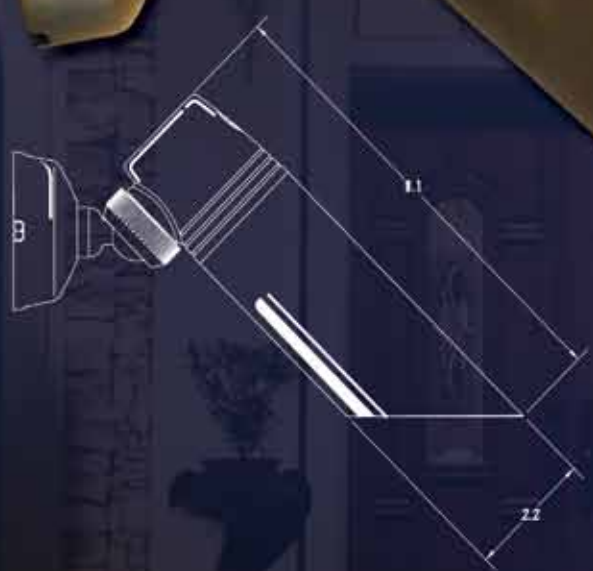
Designer
Lenses
Included





Brass Down Light Quasar 1

Model Shown: QUA1-12-35



Product Description

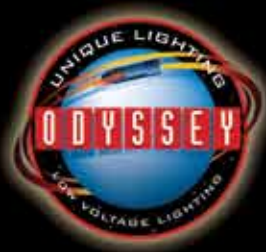
Perfect for when installation conditions are recessed back or greater glare control is needed, the Quasar 1 features a lock and load extended shroud. The versatile revolutionary ball and joint swivel mount allows a 360° rotation. The Quasar 1 has a slightly smaller shroud than the Lunar, giving it a wider beam spread. The Quasar 1 comes with the cast brass sphere base.

Specifications

- Voltage:** 12 & 24 Volt
- Construction:** Cast Brass
- Finish:** Weathered Brass
- Socket:** Beryllium Copper, pre-greased
- Knuckle:** Cast Brass, 360° Orbital Mount
- Mounting:** Cast Brass Sphere Base
- Weight:** 2.95 lbs.
- Wire:** 25 Feet, Intelli-Flex Wire, Anti-Moisture Migration Connections
- Default Lamp:** 35 Watt MR-16 FMW
- Other Lamps Available Upon Request**
- Maximum Wattage:** 35 Watts
- Full Lens Kit and Hex Louver**
- Dark Sky Compliant**
- Patent Pending**



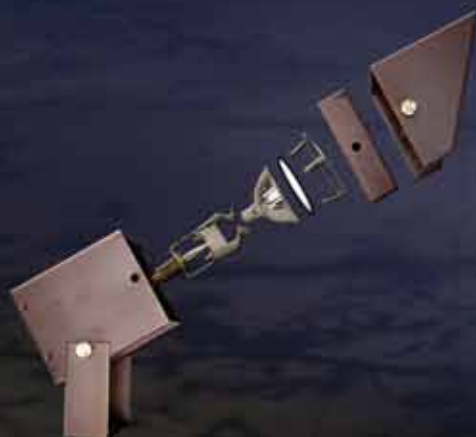
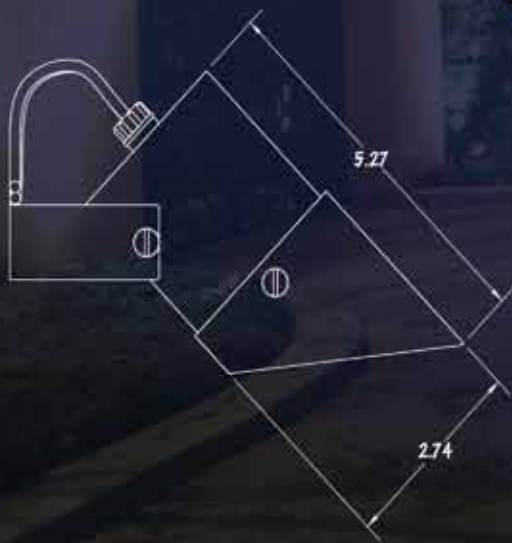
Designer
Lenses
Included



Brass Down Light Quasar 2



Model Shown: QUA2-12-35



Product Description

A square version of the Quasar 1, the Quasar 2 offers down lighting solutions when lighting overhead structures, walls or any similar shaped item. The mounting bracket secures the fixture while still allowing front and back adjustments. The included selected designer lenses are perfect for the desired light pattern output.

Use the Quasar 2 for down lighting entryways, columns, pathways or simply as an area light.

Specifications

Voltage: 12 & 24 Volt

Construction: Brass

Finish: Weathered Brass

Socket: Beryllium Copper, pre-greased

Knuckle: Solid Brass Screws

Mounting: Surface Mount

Weight: 2.4 lbs.

Wire: 25 Feet, Intelli-Flex Wire, Anti-Moisture Migration Connections

Default Lamp: 35 Watt MR-16 FMW

Other Lamps Available Upon Request

Maximum Wattage: 35 Watts

Full Lens Kit and Hex Louver

Dark Sky Compliant



Designer
Lenses
Included

Brass Down Light Probe-OSM



Model Shown: PROS-12-20

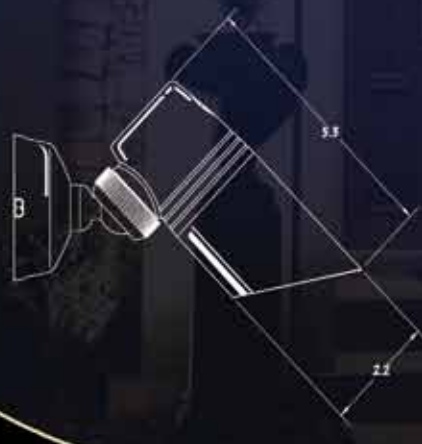


Product Description

The Probe is ideal when down lighting is challenged by a small installation area. Featuring a lock and load shroud, the Probe is enhanced by a revolutionary ball and joint swivel mount allowing a 360° rotation, thus giving 100% accuracy when dialing in the proper lighting angle. The petite die cast brass body houses a MR16, 20 Watt Halogen bulb.

Specifications

- Voltage:** 12 & 24 Volt
- Construction:** Cast Brass
- Finish:** Weathered Brass
- Socket:** Beryllium Copper, pre-greased
- Shroud:** Lock & Load, 360° Rotation
- Knuckle:** Ball and Joint, 360° Orbital Mount
- Mounting:** Cast Brass Sphere Base
- Weight:** 2.9 lbs.
- Wire:** 25 Feet, Intelli-Flex Wire, Anti-Moisture Migration Connections
- Default Lamp:** 20 Watt MR-16 BAB
- Other Lamps Available Upon Request**
- Maximum Wattage:** 20 Watts
- Full Lens Kit and Hex Louver**
- Dark Sky Compliant**
- PATENT # D519,662**

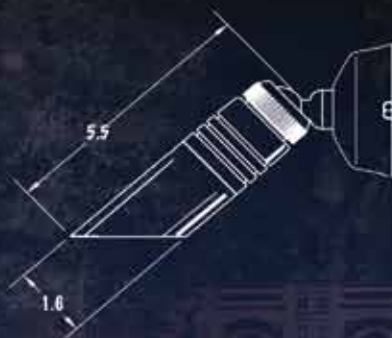




Brass Down Light North Star



Model Shown: NSTR-12-20



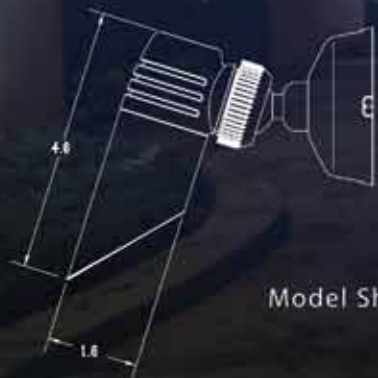
Product Description

The North Star is ideal when down lighting is challenged by a small installation area. Featuring a lock and load shroud, the North Star is enhanced by a revolutionary ball and joint swivel mount allowing a 360° rotation, thus giving 100% accuracy when dialing in the proper lighting angle. The petite die cast brass body houses a 20 Watt MR-11 Halogen bulb or a 20 Watt Astro-Brite.

The North Star is the perfect fixture for graze lighting, cross lighting or simple accent lighting.



Model Shown: NSOS-12-20



Specifications

- Voltage:** 12 & 24 Volt
- Construction:** Cast Brass
- Finish:** Weathered Brass
- Socket:** Beryllium Copper, pre-greased
- Shroud:** Lock & Load, 360° Rotation
- Knuckle:** Ball and Joint, 360° Orbital Mount
- Mounting:** Cast Brass Sphere Base
- Weight:** 2.1 lbs.
- Wire:** 25 Feet, Intelli-Flex Wire
- Default Lamp:** 20 Watt Astro-Brite/Astro-Green
20 Watt MR-11
- Other Lamps Available Upon Request**
- Full Lens Kit and Hex Louver**
- Maximum Wattage:** 20 Watts
- Dark Sky Compliant**





Brass Area Light Centaurus 4 & 6



Model Shown: C6-12-20



Model Shown: C4-12-20

Product Description

Simple yet elegant, the Centaurus offers versatile light output. The frosted Borosilicate Glass lens minimizes glare while the 20 watt Astro-Brite lamp provides sufficient light to cast a soft glow on any path or walking area. The Centaurus features a new threaded removable glass lens and an o-ring retention collar. Ideal for walkways, the Centaurus is also perfect for planter areas in need of lighting.

Specifications

- Voltage:** 12 & 24 Volt
- Construction:** Machined Brass
- Finish:** Weathered Brass
- Socket:** Beryllium Copper, pre-greased
- Shroud:** Machined Brass
- Collar:** Machined Brass
- Mounting:** Brown PVC Stabilizer Stake
- Weight:** 2.5 lbs.
- Wire:** 25 Feet, Intelli-Flex Wire, Anti-Moisture Migration Connections
- Default Lamp:** 20 Watt Astro-Brite/Astro-Green
- Other Lamps Available Upon Request**
- Maximum Wattage:** 35 Watts
- Dark Sky Compliant**



Brass Area Light Centaurus 8 & 12



Model Shown: C12-12-20

Product Description

Simple yet elegant, the Centaurus offers versatile light output. The frosted Borosilicate Glass lens minimizes glare while the 20 watt Astro-Brite lamp provides sufficient light to cast a soft glow on any path or walking area. The Centaurus features a new threaded removable glass lens and an o-ring retention collar. Ideal for walkways, the Centaurus is also perfect for planter areas in need of lighting.



Model Shown: C8-12-20

Specifications

- Voltage:** 12 & 24 Volt
- Construction:** Machined Brass
- Finish:** Weathered Brass
- Socket:** Beryllium Copper, pre-greased
- Shroud:** Machined Brass
- Collar:** Machined Brass
- Mounting:** Brown PVC Stabilizer Stake
- Weight:** 4.4 lbs.
- Wire:** 25 Feet, Intelli-Flex Wire, Anti-Moisture Migration Connections
- Default Lamp:** 20 Watt Astro-Brite/Astro-Green
- Other Lamps Available Upon Request**
- Maximum Wattage:** 35 Watts
- Dark Sky Compliant**



Brass Area Light Saturn & Constellation



Model Shown: SA-12-20



Model Shown: CN-12-20

Product Description

The Saturn offers soft level lighting with an elegant look. The frosted cylindrical lens minimizes glare while the 20 Watt Astro-Brite lamp provides sufficient light to cast a soft glow on any path or walking area. Ideal for walkways, the Saturn is also perfect for when planter areas need lighting. The adjustable settings give maximum design flexibility by creating numerous beam spreads with one fixture.

Reminiscent of a starry night, the Constellation features a star and moon pattern on an 8 inch cylindrical shroud. The aesthetic design creates a beautiful pattern of light on any pathway or surface area.

Specifications

- Voltage:** 12 & 24 Volt
- Construction:** Brass
- Finish:** Weathered Brass
- Socket:** Beryllium Copper, pre-greased
- Collar:** Machined Brass
- Mounting:** Brown PVC Stabilizer Stake
- Weight:** Saturn: 3.35 lbs. Constellation: 2.81 lbs.
- Wire:** 25 Feet, Intelli-Flex Wire, Anti-Moisture Migration Connections
- Default Lamp:** 20 Watt Astro-Brite/Astro-Green
- Other Lamps Available Upon Request**
- Maximum Wattage:** 20 Watts
- Dark Sky Compliant**



Brass Area Light

Mercury 4 & 7



Model Shown: M4-12-20

Product Description

Simple, yet elegant, the Mercury offers soft level lighting. The frosted Borosilicate Glass lens minimizes glare while the 20 Watt Astro-Brite lamp provides sufficient light to cast a soft glow on any path or walking area. Ideal for walkways, the Mercury is also perfect for when planter areas need lighting. The adjustable three-tier settings give maximum design flexibility by creating 3 different beam spreads with one fixture.

The Mercury is the perfect fixture for soft area lighting or simply as a color enhancement light.

Specifications

- Voltage:** 12 & 24 Volt
- Construction:** Brass
- Finish:** Weathered Brass
- Socket:** Beryllium Copper, pre-greased
- Collar:** 3 Adjustable Settings
- Mounting:** Brown PVC Stabilizer Stake
- Weight:** 2.51 lbs.
- Wire:** 25 Feet, Intelli-Flex Wire, Anti-Moisture Migration Connections
- Default Lamp:** 20 Watt Astro-Brite/Astro-Green
- Other Lamps Available Upon Request**
- Maximum Wattage:** 20 Watts
- Dark Sky Compliant**



Model Shown: M7-12-20





Brass Path Light Jupiter & Solaris



Model Shown: SOLA-12-20

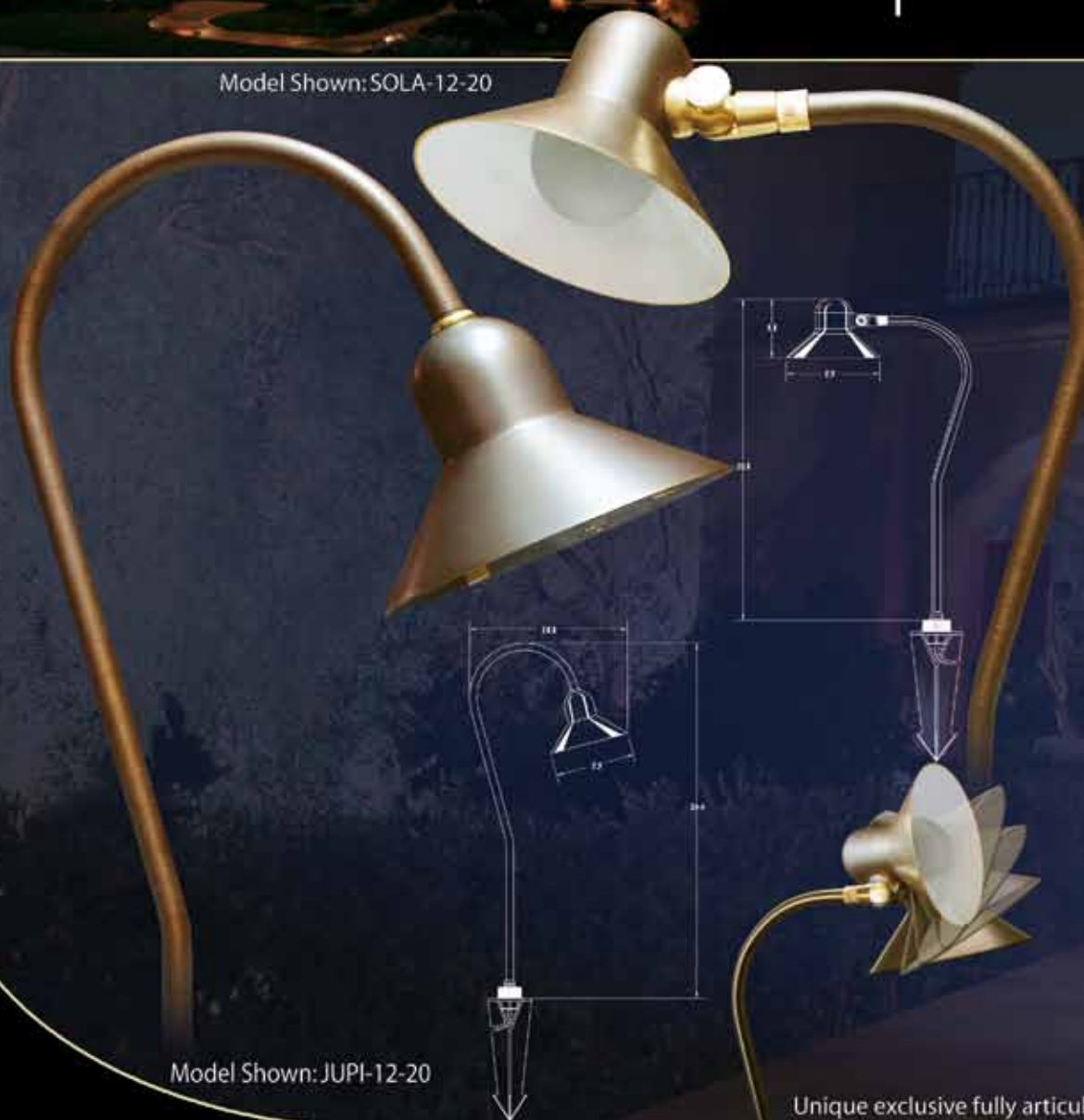
Product Description

Elegant and stylish, the Solaris features a fully articulating shroud allowing maximum design control. The 5.5 inch bell shape shroud tilts and rotates to illuminate walkways or any other walking area with high efficiency. It's 20 Watt Astro-Brite lamp is ideal for creating a soft glow.

Standing 24 inches tall and featuring a soft curve stem, the Jupiter's sleek design is able to cast light patterns of up to 15 feet in surface area. The bell shape shroud houses a small, yet powerful, 20 watt Astro-Brite lamp.

Specifications

- Voltage:** 12 & 24 Volt
- Construction:** Machined Brass
- Finish:** Weathered Brass
- Socket:** Beryllium Copper, pre-greased
- Shroud:** Machined Brass
- Collar:** Fully Adjustable, 360° Rotation (Solaris)
- Mounting:** Brown PVC Stabilizer Stake
- Weight:** 2.3 lbs.
- Wire:** 25 Feet, Intelli-Flex Wire, Anti-Moisture Migration Connections
- Default Lamp:** 20 Watt Astro-Brite/Astro-Green
- Other Lamps Available Upon Request**
- Maximum Wattage:** 20 Watts



Model Shown: JUPI-12-20

Unique exclusive fully articulating collar.



Brass Path Light Venus & Neptune



Model Shown: VENU-12-20

Product Description

The half-moon shaped Venus is graceful and efficient. With its rounded top, this traditional path light emits soft lighting on paths, planters or any other surface area.

Delicate and sophisticated, the Neptune's tulip shaped shroud adds beauty and class to any landscape design. Standing 24 inches tall and featuring a soft curve stem, the Neptune's sleek design is able to cast soft light patterns.

Specifications

- Voltage:** 12 & 24 Volt
- Construction:** Brass
- Finish:** Weathered Brass
- Socket:** Beryllium Copper, pre-greased
- Shroud:** Brass
- Mounting:** Brown PVC Stabilizer Stake
- Weight:** Venus: 2.71 lbs. Neptune: 3.16 lbs.
- Wire:** 25 Feet, Intelli-Flex Wire, Anti-Moisture Migration Connections
- Default Lamp:** 20 Watt Astro-Brite/Astro-Green
- Other Lamps Available Upon Request**
- Maximum Wattage:** 20 Watts
- Dark Sky Compliant**



Model Shown: NEPT-12-20

Brass Niche Light Gemini & Viking



Model Shown: GEMI-12-20



Product Description

The Viking features a lock and load cover allowing installation to be free of exposed screws and other mounting hardware. The compact puck light is perfect for illuminating stairs, benches, posts, and other niche locations. The Viking's louvered cover directs and spreads light to the intended area.

The Gemini offers a half dome lock and load cover which directs parallel light output. It's frosted designer lens softens the beam spread to create a warm glow while still being powerful enough to provide safety and security.

Both fixtures come standard with a specially designed foam mounting gasket for even mounting on uneven surfaces.

Specifications

Voltage: 12 & 24 Volt

Construction: Cast Brass

Finish: Weathered Brass

Socket: Beryllium Copper, pre-greased

Shroud: Lock & Load, 360° Rotation

Mounting: Flush Mount with Foam Surface Gasket

Weight: 1.85 lbs.

Wire: 25 Feet, Intelli-Flex Wire, Anti-Moisture Migration Connections

Default Lamp: 20 Watt Astro-Brite/Astro-Green

Other Lamps Available Upon Request

Maximum Wattage: 20 Watts

PATENT # D566,885 #D563,588



Model Shown: VIKI-12-20



Unique exclusive
Multi-Adjustment Mount.

Unique exclusive
Lock and Load function.



Brass Niche Light Voyager 5 & 8



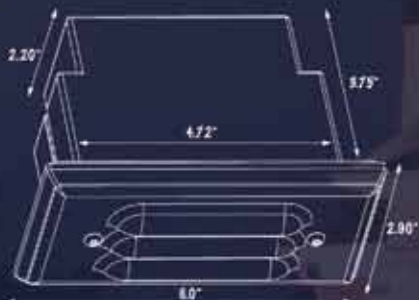
Model Shown: VO5L-12-20

Product Description

A new cast brass design on an old favorite. The Voyager is a classic recessed step light. Perfect to illuminate stairs, benches, short retaining walls and other niche locations. The Voyager's pane and louvered cover direct and spread light to the intended area. The mounting box secures the fixture while still allowing face plate adjustments. The included selected designer lenses are perfect for the desired light pattern output.

Specifications

- Voltage:** 12 & 24 Volt
- Construction:** Cast Brass Cover, PBT Injection Molded Housing
- Finish:** Weathered Brass
- Mounting:** Surface Mount With Adjustable Face Plate
- Socket:** Beryllium Copper, pre-greased
- Weight:** VOYAGER 5: 2.35 lbs., VOYAGER 8: 3.0 lbs.
- Wire:** 25 Feet, Intelli-Flex Wire, Anti-Moisture Migration Connections
- Default Lamp:** VOYAGER 5: 20 Watt Astro-Brite/Astro-Green (1)
- Default Lamp:** VOYAGER 8: 20 Watt Astro-Brite/Astro-Green (2)
- Other Lamps Available**
- Maximum Wattage:** VOYAGER 5: 20 Watts, VOYAGER 8: 40 Watts
- Full Lens Kit Available with Different Faceplates**



Model Shown: VO7L-12-20



Adjustable face plate bracket



Available face plate options

Brass Wall Sconce Orion Series



Models Shown:

ORO12-12-20
ORO9-12-20
ORO12-HV-0
ORO9-HV-0
ORO6-12-20
ORO4-12-20

Product Description

Designed to eliminate the glare associated with glass porch light fixtures, the Orion series directs light output in an up/down beam spread. The brass body construction makes these fixtures durable and efficient.

Advanced applications include mounting a horizontal series of Orions to create a beautiful pattern of light. Available in 4 inch, 6 inch, 9 inch and 12 inch heights, these wall sconce fixtures are the perfect addition to any lighting portrait.

Specifications

Voltage: 12 & 24 Volt

Construction: Brass

Finish: Weathered Brass

Socket: Beryllium Copper, pre-greased

Mounting: Surface Mounted

Weight: Orion4: 1.51 lbs., Orion6: 2.11 lbs.,
Orion9: 4.7 lbs., Orion12: 6.2 lbs.

Wire: 25 Feet, Intelli-Flex Wire, Anti-Moisture Migration Connections

Lamp: 20 Watt Astro-Brite/Astro-Green (4 & 6 Only)

Maximum Wattage: See Notes

Lenses: Clear and Frosted

Notes:

Orion 4 - 12V Includes 1-20W Lamp, Dimensions: 4x3.25x2.25 (20 Watt Max.)

Orion 6 - 12V Includes 2-20W Lamps Up/Down, Dimensions: 6x3.5x3.0 (40 Watt Max.)

Orion 9 - 120V No Lamp Supplied, Dimensions: 9.1x6.1x3.6 (80 Watt Max.)

Orion 12 - 120V No Lamp Supplied, Dimensions: 12x9.1x5.1 (120 Watt Max.)



Brass Niche Light Observer

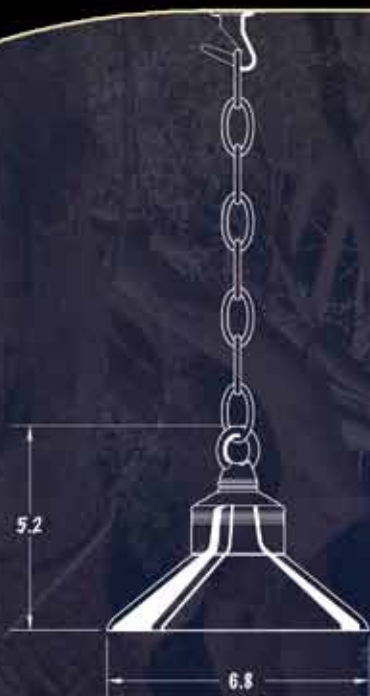


Product Description

The Observer is a brass hanging fixture with 1 foot of chain and a new lock and load shroud. It is ideal for trees, gazebos or other structures. Because the spread lens evenly displaces the light, the Observer is the perfect choice when you need a softly lit environment. Equipped with a 20 watt Astro-Brite Halogen lamp, 25' of Intelli-Flex wire and a Lifetime Warranty, this simple design is sure to satisfy even the toughest critic.

Specifications

- Voltage:** 12 & 24
- Construction:** Brass
- Finish:** Weathered Brass
- Socket:** Beryllium Copper, pre-greased
- Shroud:** Lock & Load
- Mounting:** 1' Hanging Chain and Brass Hook
- Weight:** 2.55 lbs.
- Wire:** 25 Feet, Intelli-Flex Wire, Anti-Moisture Migration Connections
- Lamp:** 20 Watt Astro-Brite/Astro-Green
- Other Lamps Available Upon Request**
- Lens:** Frosted
- Maximum Wattage:** 20 Watts
- Dark Sky Compliant**



Model Shown: OBSE-12-20

Signature Series Fixtures



Unique Lighting Systems' Signature Series line is the end result of an interminable effort to create the perfect lighting fixture. Each Unique Signature Series fixture is built for a specific purpose and designed to last. The Signature Series line was born out of a desire to create only the most superior lighting fixtures available for the most discerning end user. When used in conjunction with Unique's Power Management System, the Signature Series line is one of the most dependable and refined lighting systems on the market.

All Signature Series Fixtures Come Standard With

- 25 to 75 feet, Intelli-Flex Wire with Anti-Moisture Migration Connections
- Mounting hardware or stakes
- Full assortment of tempered designer lenses
- Glare control devices
- Pre-greased sockets
- Lamps



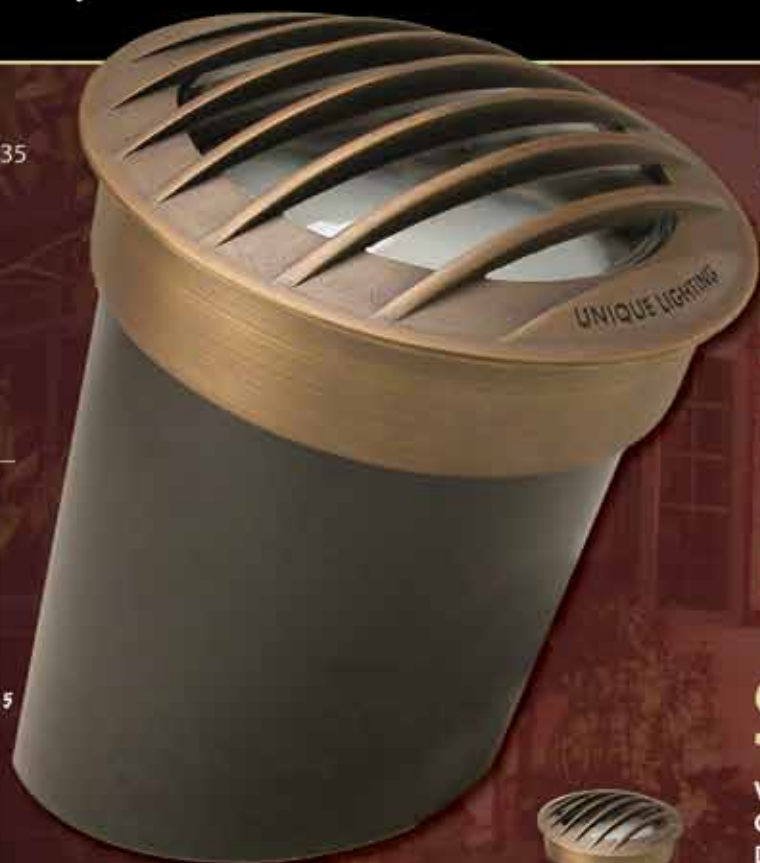


Brass Well Light Apollo Star



SIGNATURE SERIES
Well Lights

Model Shown: APST-12-35



Shown with INFINITYRING accessory



Product Description

Tough and resilient describes the Apollo Star's design and function. A strong and powerful in-ground well light, the Apollo Star uses a 35 Watt PAR 36 Halogen, wide flood lamp to cast an ample beam spread against any landscape element. Its Commercial Brass Grate gives it a rugged quality without compromising aesthetic design, while the lens retainer clip holds designer lenses to create a variety of beam spreads with the use of just one lamp. The featured patented stainless steel gimble ring holds the lamp in place while allowing vertical and horizontal adjustments within the composite body.

Specifications

- Voltage:** 12 & 24 Volt
- Construction:** Terra Therma Composite
- Debris Guard:** Cast Brass Debris Guard
- Finish:** Weathered Brass
- Mounting:** In Ground
- Weight:** 5.8 lbs.
- Wire:** 25 Feet, Intelli-Flex Wires
- Default Lamp:** 35 Watt PAR 36 Halogen
- Other Lamps Available Upon Request**
- Maximum Wattage:** 50 Watts
- Full Lens Kit**
- PATENT # 6,502,967**



Designer Lenses
Included

Putting Green Light Augusta



SIGNATURE SERIES
Golf Lights

Model Shown: AUGU-12-20-75

Product Description

The Augusta is a putting green light, designed to provide a visual queue to the putting cup and enhance your nighttime putting experience. The Augusta sits flush in the putting green and lights upward through the base, illuminating the cup, flagstick and flag. The flag is easily removed to retrieve golf balls.

The Augusta carries a 5 year warranty on all composite components.

Specifications

Voltage: 12 & 24 Volt

Construction, Putting Green Light Enclosure: High-Impact PBT

Construction, Fixture: Cast Brass

Finish: Bright White Cup, Pin and Flag

Light Includes: Pin, Cup Housing & Fixture

Socket: Beryllium Copper, pre-greased

Weight: 7.91 lbs.

Wire: 75 Feet, Intelli-Flex Wire, Anti-Moisture Migration Connections

Default Lamp: 20 Watt MR-16 BAB, 10,000 hr. Rating

Other Lamps Available Upon Request

Maximum Wattage: 20 Watts

PATENT # 7,594,859





Underwater Light Atlantis 16



SIGNATURE SERIES
Water Lights

Model Shown: AT16-12-35-50



Product Description

Made from machined brass, this underwater light can be used in depths of up-to 3 feet. The Atlantis 16 features swivel bracket that allows 180-degree rotation.

Specifications

- Voltage:** 12 & 24 Volt
- Construction:** Brass
- Finish:** Natural Brass
- Socket:** Beryllium Copper, pre-greased
- Shroud:** Brass
- Weight:** 2.35 lbs.
- Wire:** 50 Feet, 16/2 ST00W Black SO Cord
- Default Lamp:** 35 Watt MR-16 FMW
- Other Lamps Available Upon Request**
- Maximum Wattage:** *50 Watts
- Full Lens Kit**



Designer Lenses
Included

* 50 watt max. when used in water. 20 watt max. when used in open air

Brass Area Light Endeavour



SIGNATURE SERIES
Area Lights

Product Description

Whether you are lighting a BBQ area, deck or simply would like a decorative area light, the Endeavour's versatility is sure to meet the challenge. Standing just over an impressive five feet tall, the Endeavour is equipped with a powerful 20 Watt Astro-Brite lamp emitting plenty of light to illuminate an entire cooking area, not just the grill.



Also available with Saturn top
Model: EXPE-12-20

Specifications

- Voltage:** 12 & 24 Volt
- Construction:** Brass
- Finish:** Weathered Brass
- Socket:** Beryllium Copper, pre-greased
- Collar:** Machined Brass
- Mounting:** Zero-G Docking Post (Perma Post)
- Weight:** 5.51 lbs.
- Wire:** 25 Feet, Intelli-Flex Wire, Anti-Moisture Migration Connections
- Default Lamp:** 20 Watt Astro-Brite/Astro-Green
- Other Lamps Available Upon Request**
- Maximum Wattage:** 35 Watts
- Dark Sky Compliant**



Model Shown: END-12-20

Perma Post Included



Hanging Light Envoy & Enterprise



SIGNATURE SERIES
Outdoor Living Lights

Model Shown: ENTE-12-20



Model Shown: ENVO-12-20



Product Description

The Envoy and Enterprise both offer soft level lighting with an elegant look. The frosted lens minimizes glare while the 20 Watt Astro-Brite lamp provides sufficient light to cast a soft glow on any area. Ideal for ceilings or walls, both fixtures are perfect above outside barbecues, seating and outside entertainment areas. These fixtures bring lighting to the next level without forcing you to use a bullet down light for softer down lighting applications.

Specifications

- Voltage:** 12 & 24 Volt
- Construction:** Brass
- Finish:** Weathered Brass
- Socket:** Beryllium Copper, pre-greased
- Collar:** Machined Brass
- Mounting:** Cast Brass Sphere Base
- Weight:** Envoy: 3.60 lbs. Enterprise: 3.25 lbs.
- Wire:** 25 Feet, Intelli-Flex Wire, Anti-Moisture Migration Connections
- Default Lamp:** 20 Watt Astro-Brite/Astro-Green
- Other Lamps Available Upon Request**
- Maximum Wattage:** 20 Watts
- PATENT # D590979**

Hanging Light Saturn-I



SIGNATURE SERIES
Outdoor Living Lights

Product Description

The Saturn-I offers soft level lighting with an elegant look. The frosted cylindrical lens minimizes glare while the 20 Watt Astro-Brite lamp provides sufficient light to cast soft glows on ceilings or gazebos. Ideal for outdoor entertaining areas, the Saturn-I is also perfect for when overhang areas need lighting. The adjustable settings give maximum design flexibility by creating numerous beam spreads with one fixture.

Specifications

- Voltage:** 12 & 24 Volt
- Construction:** Brass
- Finish:** Weathered Brass
- Socket:** Beryllium Copper, pre-greased
- Collar:** Machined Brass
- Mounting:** Cast Brass Dome Base
- Weight:** 3.3 lbs.
- Wire:** 25 Feet, Intelli-Flex Wire, Anti-Moisture Migration Connections
- Default Lamp:** 20 Watt Astro-Brite/Astro-Green
- Other Lamps Available Upon Request**
- Maximum Wattage:** 20 Watts



Model Shown: SAIV-12-20



Address Light

Voyager Address Kit

294

Model Shown: VOYAGER8-B25-5-WB-O-AK

Product Description

This kit will allow you to use the Voyager 8 in any of your hardscape surfaces to create an illuminated address plaque. Use the numbers with a Voyager 8 and open faceplate on your house, your steps or on any curbside hardscaping to create a clean and effective lit number sign. This product can either be ordered as a full fixture (shown), or as a faceplate kit. Three sets of heat resistant vinyl numbers are included.



Shown illuminated



Adjustable face plate bracket

Specifications

Voltage: 12 & 24 Volt**Construction:** Cast Brass Cover, PBT Injection Molded Housing**Finish:** Weathered Brass**Mounting:** Surface Mount With Adjustable Face Plate**Socket:** Beryllium Copper, pre-greased**Weight:** 3.0 lbs.**Wire:** 25 Feet, Intelli-Flex Wire, Anti-Moisture Migration Connections**Default Lamp:** 5 Watt Astro-Brite/Astro-Green (2)**Other Lamps Available****Maximum Wattage:** 10 Watts**Full Number Kit (3 Sets)**

Hardscape Tiki Islander



SIGNATURE SERIES
Hardscape Lights

Model Shown: IB-12-35



35 watt Astro-Brite inside



Also Available in Copper Perma Post Included

Product Description

Whether you are lighting a BBQ area, deck or simply would like a decorative area light, this elegant brass tropical inspired torch and down light will help to create a beautiful resort right in your own back yard. Its removable wick assembly and threaded collar make the torch easy to remove and fill. The 35 watt Astro-Brite is protected from the elements. Its braided fiberglass wick will not unravel or blow out.

Specifications

- Voltage:** 12 & 24 Volt
- Construction:** Brass
- Finish:** Weathered Brass
- Socket:** Beryllium Copper, pre-greased
- Snuff Cap & Chain:** Brass
- Wick:** 8" x 1/2" Braided Fiberglass
- Collar:** Machined Brass
- Fluid Capacity:** 22 oz. (Vertical Position)
- Mounting:** Zero-G Docking Post (Perma Post)
- Weight:** 8.65 lbs. (Without Fluid)
- Wire:** 25 Feet, Intelli-Flex Wire, Anti-Moisture Migration Connections
- Default Lamp:** 35 Watt Astro-Brite/Astro-Green
- Other Lamps Available Upon Request**
- Maximum Wattage:** 35 Watts

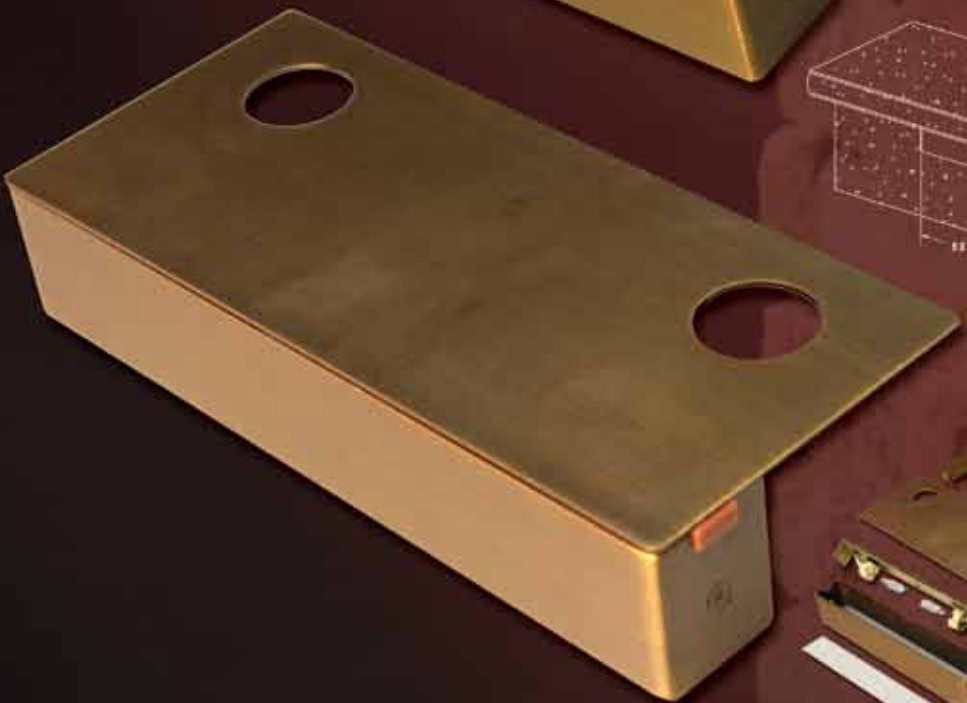


Hardscape Light Vanguard 5 & 8



SIGNATURE SERIES
Hardscape Lights

Model Shown: VAB5-12-10



Model Shown: VAB8-12-20



Product Description

The Vanguard is a step beyond the normal recessed wall light. Perfect for illuminating short retaining walls and other niche locations. The Vanguard cover directs and spreads light to the intended area. The extendable mounting plate secures the fixture while still allowing face plate adjustments. The mounting plate is removable for mounting under railings and other tight fitting spaces. The frosted lens is perfect for the desired light output. The Vanguard 5 & 8 are also available in copper.

Specifications

- Voltage:** 12 & 24 Volt
- Construction:** Brass
- Finish:** Weathered Brass
- Socket:** Beryllium Copper, pre-greased
- Collar:** Machined Brass
- Mounting:** Recessed, Under Wall Cap
- Weight:** VANGUARD 5: 1.5 lbs. VANGUARD 8: 2.1 lbs.
- Wire:** 25 Feet, Intelli-Flex Wire, Anti-Moisture Migration Connections
- Default Lamp:** VANGUARD 5: (1) 10 Watt Astro-Brite/Astro-Green
VANGUARD 8: (2) 10 Watt Astro-Brite/Astro-Green
- Other Lamps Available Upon Request**
- Maximum Wattage:** VANGUARD 5: 10 Watts
VANGUARD 8: 20 Watts
- Dark Sky Compliant**



Copper Knights Fixtures



Add a touch of elegance to the outdoor atmosphere with the Copper Knights Line from Unique Lighting Systems. Made from high quality polished copper, the Copper Knights line is designed to withstand the test of time and look beautiful while doing it. By fabricating the fixtures from copper, Unique has created a long-lasting product that develops an attractive appearance naturally over time. The complex structure of copper changes when exposed to outdoor conditions, bathing the fixture's exterior in shades of blues and greens for a vintage and naturally aged look.

All Copper Knights Fixtures Come Standard With

- 25 foot Intelli-Flex wire leads on all fixtures with Anti-Moisture Migration Connections
- Mounting hardware or stakes
- Pre-greased sockets
- Lamps
- 15 YEAR WARRANTY**



COPPER KNIGHTS



Copper Up Light Oxford



COPPER KNIGHTS
Up Lights



Model Shown: OXFO-12-35



Product Description

A powerful and heavy duty directional up-light, the Oxford is perfect when illuminating trees, tall structures and vast spaces.

The Oxford can be used in numerous applications including back, shadow or graze lighting. It is also the perfect directional light to use when up lighting columns.

Specifications

- Voltage:** 12 & 24 Volt
- Construction:** Natural Copper
- Finish:** Natural Copper
- Shroud:** 360° Rotation
- Knuckle:** Cast Brass, Adjustable
- Mounting:** Brown PVC Gravity Stake
- Weight:** 3.4 lbs.
- Wire:** 25 Feet, Intelli-Flex Wire
- Default Lamp:** 35 Watt PAR 36 WFL
- Other Lamps Available Upon Request**
- Maximum Wattage:** 50 Watts
- 15 Year Warranty**

Copper Up/Down Light Guardian & Crusader



Model Shown: GUAR-12-35

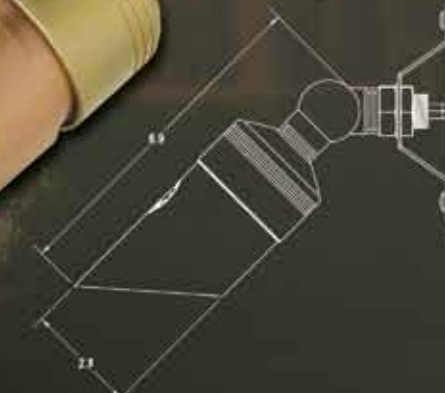
Product Description

The Guardian offers style and function without compromise. Its sleek straight lines and single gasket shroud feature make the Guardian an essential fixture when lighting palms, trees, columns or other tall structures.

The Crusader offers a practical solution to most down light applications. Featuring a single O-ring supported shroud, this down-light fixture uses the Universal Mounting Bracket to make installation fast and easy.

Specifications

- Voltage:** 12 & 24 Volt
- Construction:** Natural Copper Housing with Cast Brass Base
- Finish:** Natural Copper
- Knuckle:** Cast Brass, Adjustable
- Socket:** Beryllium Copper, pre-greased
- Shroud:** 360 Rotation
- Mounting:** Brown PVC Gravity Stake (Guardian)
- Mounting:** Brass Mounting Bracket (Crusader)
- Weight:** Guardian: 2.5 lbs., Crusader: 2.7 lbs.
- Wire:** 25 Feet, Intelli-Flex Wire, Anti-Moisture Migration Connections
- Default Lamp:** 35 Watt MR-16 FMW
- Other Lamps Available Upon Request**
- Maximum Wattage:** 35 Watts
- 15 Year Warranty**



Model Shown: CRUS-12-35



Copper Path Light Canterbury & Windsor



COPPER KNIGHTS
Path Lights

Model Shown: CANT-12-20

Model Shown: WIND-12-20

Unique exclusive fully articulating collar.

Product Description

Elegant and stylish, the Canterbury features a fully articulating shroud allowing maximum design control. The 5.45 inch bell shape shroud tilts and rotates to illuminate walkways or any other walking area with high efficiency. Its 20 watt Astro-Brite lamp is ideal for creating soft glow lighting.

A miniature version of the Canterbury, the Windsor mini wall washer is a powerful fixture. Featuring a small spun copper body, this undersized power house is able to illuminate planter areas, short retaining walls, step landings or any other area needing a soft glow.

Specifications

Voltage: 12 & 24 Volt

Construction: Natural Copper Housing with Machined Brass Collar

Finish: Natural Copper

Socket: Beryllium Copper, pre-greased

Shroud: Fully Adjustable, 360° Rotation

Mounting: Brown PVC Stabilizer Stake

Weight: Canterbury: 2.65 lbs., Windsor: 2.15 lbs.

Wire: Wire: 25 Feet, Intelli-Flex Wire, Anti-Moisture Migration Connections

Default Lamp: 20 Watt Astro-Brite/Astro-Green

Other Lamps Available Upon Request

Maximum Wattage: 20 Watts

15 Year Warranty

Copper Area Light Cambridge & Camelot



Product Description

The Cambridge offers soft level lighting with an elegant look. The frosted cylindrical lens minimizes glare while the 20 Watt Astro-Brite lamp provides sufficient light to cast soft glows on any path or walking area. Ideal for walkways, the Saturn is also perfect for when planter areas need lighting. The adjustable settings give maximum design flexibility by creating numerous beam spreads with one fixture.

Reminiscent of a starry night, the Camelot features a star and moon pattern on an 8 inch cylindrical shroud and Borosilicate glass lens. The aesthetic design allows light to emanate a beautifully lit pattern on any pathway or surface area.

Specifications

Voltage: 12 & 24 Volt
Construction: Natural Copper
Finish: Natural Copper
Socket: Beryllium Copper, pre-greased
Collar: 3 Adjustable Height Settings
Mounting: Brown PVC Stabilizer Stake
Weight: **CAMBRIDGE:** 3.65 lbs., **CAMELOT:** 2.4 lbs.
Wire: 25 Feet, Intelli-Flex Wire, Anti-Moisture Migration Connections
Default Lamp: 20 Watt Astro-Brite/Astro-Green
Other Lamps Available Upon Request
Maximum Wattage: 20 Watts
Dark Sky Compliant
15 Year Warranty



Model Shown: CM-12-20

Model Shown: CL-12-20



Copper Area Light Illuminator 4 & 6



Model Shown: I6-12-20

Product Description

The Illuminator 6 and 4 offer versatile light output. The frosted Borosilicate glass lens minimizes glare while the 20 watt Astro-Brite lamp provides sufficient light to cast soft glows on any path or walking area. Ideal for walkways, the Illuminator 6 and 4 are also perfect for when planter areas need lighting.

COPPER KNIGHTS
Area Lights



Model Shown: I4-12-20

Specifications

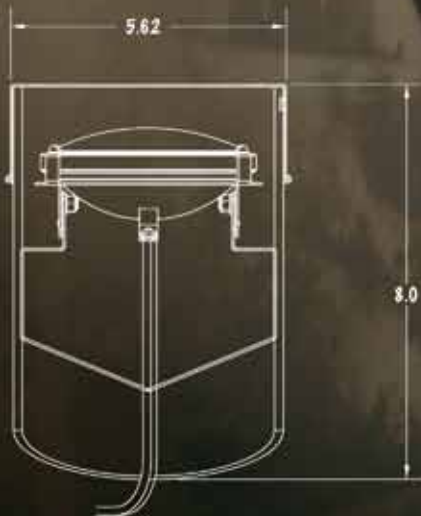
- Voltage:** 12 & 24 Volt
- Construction:** Natural Copper Housing with Cast Brass Collar
- Finish:** Natural Copper
- Collar:** Cast Brass
- Socket:** Beryllium Copper, pre-greased
- Mounting:** Brown PVC Stabilizer Stake
- Weight:** Illuminator6: 3.5 lbs., Illuminator4: 2.4 lbs.
- Wire:** 25 Feet, Intelli-Flex Wire, Anti-Moisture Migration Connections
- Default Lamp:** 20 Watt Astro-Brite/Astro-Green
- Other Lamps Available Upon Request**
- Maximum Wattage:** 20 Watts
- Dark Sky Compliant**
- 15 Year Warranty**



Copper Well Light Gallant



Model Shown: GALL-12-35



Product Description

Simple, discreet and versatile describes the Gallant's design and function. A powerful in-ground well light, the Gallant uses a PAR 36, 35 watt wide flood lamp to cast an ample beam spread against any landscape element. Its dual cut body allows for surface flush or angled installation options. The featured patented stainless steel gimble ring holds the lamp in place while allowing vertical and horizontal adjustments within the composite body. The Gallant also features a 2" copper debris guard to allow for above ground installation.

Specifications

Voltage: 12 & 24 Volt
Construction: Natural Copper & ABS Composite
Construction: ABS Composite
Debris Guard: 2" Natural Copper with Clear Lens
Mounting: In - Ground
Weight: : 3.85 lbs.
Wire: 25 Feet, Intelli-Flex Wire
Default Lamp: 35 Watt PAR 36 WFL Halogen
Other Lamps Available Upon Request
Maximum Wattage: 50 Watts
15 Year Warranty
PATENT # 6,502,967



Copper Wall Sconce Chamberlain Series



Models Shown:

CH12-12-20
CH9-12-20
CH12-HV-0
CH9-HV-0
CH6-12-20
CH4-12-20



Product Description

Designed to eliminate the glare associated with glass porch light fixtures, the Chamberlain series directs light output in an up/down beam spread. The copper body construction makes these fixtures durable and efficient.

Advanced applications include mounting a horizontal series of Chamberlains to create a beautiful pattern of light. Available in 4 inch, 6 inch, 9 inch and 12 inch heights, these wall sconce fixtures are the perfect addition to any lighting portrait.

Specifications

Voltage: 12 & 24 Volt
Construction: Copper
Finish: Natural Copper
Socket: Beryllium Copper, pre-greased
Mounting: Surface Mounted
Weight: Chamberlain 4: 1.51 lbs., Chamberlain 6: 2.11 lbs., Chamberlain 9: 4.7 lbs., Chamberlain 12: 6.2 lbs.
Wire: 25 Feet, Intelli-Flex Wire, Anti-Moisture Migration Connections
Lamp: 20 Watt Astro-Brite/Astro-Green
Maximum Wattage: See Notes
Lenses: Clear and Frosted
15 Year Warranty

Notes:

Chamberlain 4 - 12V Includes 1-20W Lamp, Dimensions: 4x3.25x2.25 (20 Watt Max.)
Chamberlain 6 - 12V Includes 2-20W Lamps Up/Down, Dimensions: 6x3.5x3.0 (40 Watt Max.)
Chamberlain 9 - 120V No Lamp Supplied, Dimensions: 9.1x6.1x3.6 (80 Watt Max.)
Chamberlain 12 - 120V No Lamp Supplied, Dimensions: 12x9.1x5.1 (120 Watt Max.)

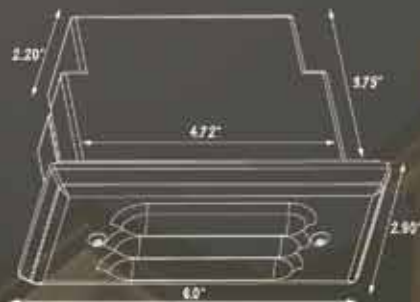


Copper Niche Light

Londoner 5 & 8



Model Shown: LN5L-12-10



Model Shown: LN8L-12-20



Adjustable face plate bracket



Open faceplate available

Product Description

A new copper design on an old favorite. The Londoners are a classic recessed step light. Perfect to illuminate stairs, benches, short retaining walls and other niche locations. The Londoners pane and louvered cover direct and spread light to the intended area. The mounting box secures the fixture while still allowing face plate adjustments. The included frosted lens is perfect for the desired light pattern output.

Specifications

- Voltage:** 12 & 24 Volt
- Construction:** Copper Cover, PBT Injection Molded Housing
- Finish:** Natural Copper
- Mounting:** Surface Mount With Adjustable Face Plate
- Socket:** Beryllium Copper, pre-greased
- Weight:** LONDONER 5: 2.35 lbs., LONDONER 8: 3.0 lbs.
- Wire:** 25 Feet, Intelli-Flex Wire, Anti-Moisture Migration Connections
- Default Lamp:** LONDONER 5: 10 Watt Astro-Brite/Astro-Green (1)
- Default Lamp:** LONDONER 8: 20 Watt Astro-Brite/Astro-Green (2)
- Other Lamps Available**
- Maximum Wattage:** LONDONER 5: 20 Watts, LONDONER 8: 40 Watts
- Frosted Lens**
- 15 Year Warranty**

COPPER KNIGHTS
Niche Lights



Hanging Down Light Lancaster



Model Shown: LCTR-12-20

Product Description

The Lancaster is a copper hanging fixture with a new lock and load shroud. It is ideal for trees, gazebos or other structures. The Lancaster is the perfect choice when you need a softly lit environment.

Equipped with a 20 watt MR-16 Halogenlamp, 25' of Intelli-Flex wire and a 15 year warranty, this simple design is sure to satisfy even the toughest critic.

Specifications

Voltage: 12 & 24 Volt

Construction: Natural Copper Housing with Cast Brass Base

Finish: Natural Copper

Socket: Beryllium Copper, pre-greased

Shroud: 360 Rotation

Mounting: Natural Brass Eyelit, Brass Hook, Brass Chain Links (2)

Weight: 2.1 lbs.

Wire: 25 Feet, Intelli-Flex Wire, Anti-Moisture Migration Connections

Default Lamp: 20 Watt MR-16 BAB

Other Lamps Available Upon Request

Maximum Wattage: 20 Watts

Dark Sky Compliant

15 Year Warranty





Brass Knights Fixtures



Add a touch of elegance to the outdoor atmosphere with the Brass Knights Line from Unique Lighting Systems. Made from high quality brass the Brass Knights line is designed to withstand the test of time and look beautiful while doing it. By fabricating the fixtures from brass Unique has created a long-lasting product that develops an attractive appearance naturally over time. The complex structure of brass changes when exposed to outdoor conditions, bathing the fixture's exterior with a naturally aged look.

All Brass Knights Fixtures Come Standard With

- 25 foot Intelli-Flex wire leads on all fixtures with Anti-Moisture Migration Connections
- Mounting hardware or stakes
- Pre-greased sockets
- Lamps
- 15 YEAR WARRANTY**



BRASS KNIGHTS



Brass Up Light Bishop



Model Shown: BISH-12-35



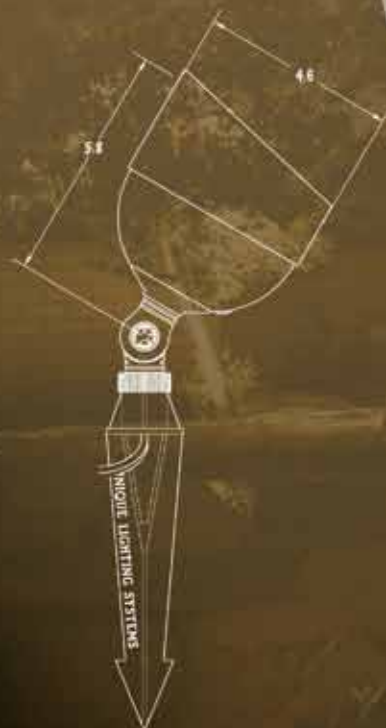
Product Description

A powerful and heavy duty directional up-light, the Bishop is perfect when illuminating trees, tall structures and vast spaces.

The Bishop can be used in numerous applications including back, shadow or graze lighting. It is also the perfect directional light to use when up lighting columns.

Specifications

- Voltage:** 12 & 24 Volt
- Construction:** Brass
- Finish:** Weathered Brass
- Shroud:** 360° Rotation
- Knuckle:** Cast Brass, Adjustable
- Mounting:** Brown PVC Gravity Stake
- Weight:** 3.45 lbs.
- Wire:** 25 Feet, Intelli-Flex Wire
- Default Lamp:** 35 Watt PAR 36 WFL
- Other Lamps Available Upon Request**
- Maximum Wattage:** 50 Watts
- 15 Year Warranty**





Brass Up/Down Light Intrepid & Conquest



Model Shown: INTR-12-35



Model Shown: CONQ-12-35



Product Description

The Intrepid offers style and function without compromise. Its sleek straight lines and dual gasket shroud feature make the Intrepid an essential fixture when lighting palms, trees, columns or other tall structures. The Conquest offers a practical solution to most down light applications. Featuring an O-ring supported shroud this down-light fixture uses the Universal Mounting Bracket to make installation fast and easy.

Specifications

- Voltage:** 12 & 24 Volt
- Construction:** Brass
- Finish:** Weathered Brass
- Knuckle:** Cast Brass, Adjustable
- Socket:** Beryllium Copper, pre-greased
- Shroud:** 360 Rotation
- Mounting:** Brown PVC Gravity Stake (Intrepid)
- Mounting:** Brass Mounting Bracket (Conquest)
- Weight:** Intrepid: 2.5 lbs., Conquest: 1.2 lbs.
- Wire:** 25 Feet, Intelli-Flex Wire, Anti-Moisture Migration Connections
- Default Lamp:** 35 Watt MR-16 FMW
- Other Lamps Available Upon Request**
- Maximum Wattage:** 35 Watts
- 15 Year Warranty**

BRASS KNIGHTS
Up/Down Lights



Brass Area Light

Lancer 4 & 6



Model Shown: L6-12-35

Product Description

Simple yet elegant, the Lancer offers versatile light output. Featuring a rotating adjustable height setting, the Lancer allows various beam spreads. The frosted Borosilicate glass lens minimizes glare while the 20 watt Astro-Brite lamp provides sufficient light to cast soft glows on any path or walking area. Ideal for walkways, the Lancer is also perfect for when planter areas need lighting.

Specifications

- Voltage:** 12 & 24 Volt
- Construction:** Machined Brass
- Finish:** Weathered Brass
- Socket:** Beryllium Copper, pre-greased
- Shroud:** Machined Brass
- Collar:** Machined Brass with Rotating Height
- Mounting:** Brown PVC Stabilizer Stake
- Weight:** Lancer 4: 2.7 lbs., Lancer 6: 3.15 lbs.
- Wire:** 25 Feet, Intelli-Flex Wire, Anti-Moisture Migration Connections
- Default Lamp:** 20 Watt Astro-Brite/Astro-Green
- Other Lamps Available Upon Request**
- Maximum Wattage:** 20 Watts
- Dark Sky Compliant**
- 15 Year Warranty**

BRASS KNIGHTS
Area Lights



Model Shown: L4-12-35

Brass Area Light Excalibur & Monarch



Model Shown: EXCA-12-20

Product Description

Elegant and stylish, the Excalibur features a fully articulating shroud allowing maximum design control. The 5.5 inch bell shape shroud tilts and rotates to illuminate walkways or any other walking area with high efficiency. Its 20 watt Astro-Brite lamp is ideal for creating soft glow lighting.

A smaller version of the Excalibur, the Monarch mini wall washer is a powerful fixture. Featuring a small spun brass body, this undersized power house is able to illuminate planter areas, short retaining walls, step landings or any other area needing a soft glow.

Specifications

Voltage: 12 & 24 Volt

Construction: Brass

Finish: Weathered Brass

Socket: Beryllium Copper, pre-greased

Shroud: Fully Adjustable, 360° Rotation

Mounting: Brown PVC Stabilizer Stake

Weight: Excalibur: 2.65 lbs., Monarch: 2.2 lbs.

Wire: 25 Feet, Intelli-Flex Wire, Anti-Moisture Migration Connections

Default Lamp: 20 Watt Astro-Brite/Astro-Green

Other Lamps Available Upon Request

Maximum Wattage: 20 Watts

15 Year Warranty



Model Shown: MONA-12-20



Brass Area Light Entropic & Chancellor



Model Shown: ENTR-12-20



Model Shown: CHAN-12-20

Product Description

The Entropic offers soft level lighting with an elegant look. The 20 Watt Astro-Brite lamp provides sufficient light to cast soft glows on any path or walking area. The Entropic is perfect for planter areas.

Simple, yet elegant, the Chancellor offers versatile light output. The frosted glass lens minimizes glare while the 20 watt Astro-Brite lamp provides sufficient light to cast soft glows on any path or walking area. Ideal for walkways, the Chancellor is also perfect for when planter areas need lighting.

Specifications

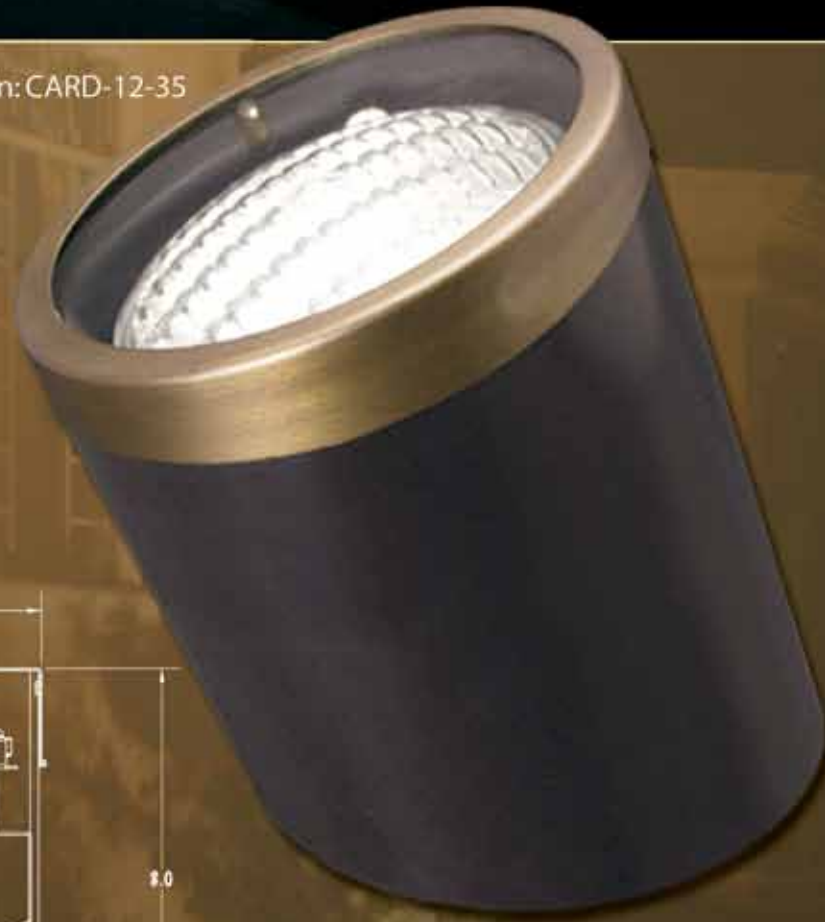
- Voltage:** 12 & 24 Volt
- Construction:** Machined Brass
- Finish:** Weathered Brass
- Socket:** Beryllium Copper, pre-greased
- Shroud:** Machined Brass
- Collar:** Machined Brass
- Mounting:** Brown PVC Stabilizer Stake
- Weight:** Entropic: 4.7 lbs. Chancellor: 1.5 lbs.
- Wire:** 25 Feet, Intelli-Flex Wire, Anti-Moisture Migration Connections
- Default Lamp:** 20 Watt Astro-Brite/Astro-Green
- Other Lamps Available Upon Request**
- Maximum Wattage:** 20 Watts
- Dark Sky Compliant**
- 15 Year Warranty**

BRASS KNIGHTS
Area Lights

Brass Well Light Cardinal



Model Shown: CARD-12-35



Product Description

Simple, discreet and versatile describes the Cardinal's design and function. A powerful in-ground well light, the Cardinal uses a PAR 36, 35 watt wide flood lamp to cast an ample beam spread against any landscape element. Its dual cut body allows for surface flush or angled installation options. The featured patented stainless steel gimble ring holds the lamp in place while allowing vertical and horizontal adjustments within the composite body. The Cardinal also features a 1" brass debris guard to allow for above ground installation.

Specifications

Voltage: 12 & 24 Volt
Construction: Brass & ABS Composite
Construction: ABS Composite
Debris Guard: 1" Brass
Mounting: In - Ground
Weight: : 2.7 lbs.
Wire: 25 Feet, Intelli-Flex Wire
Default Lamp: 35 Watt PAR 36 WFL
Other Lamps Available Upon Request
Maximum Wattage: 50 Watts
15 Year Warranty
PATENT # 6,502,967

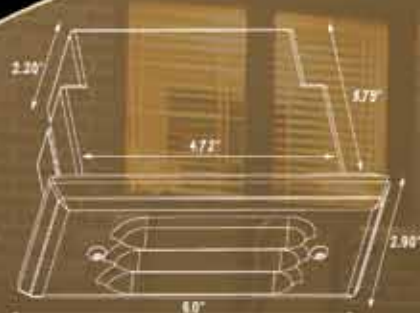




Brass Niche Light Sovereign 5 & 8



Model Shown: SV5L-12-20



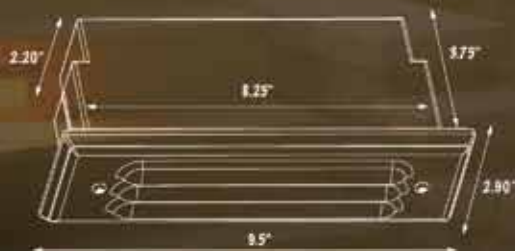
Product Description

A new brass design on an old favorite. The Sovereigns are a classic recessed step light. Perfect to illuminate stairs, benches, short retaining walls and other niche locations. The Sovereigns louvered face plate directs and spreads light to the intended area. The mounting box secures the fixture while still allowing face plate adjustments. The included frosted lens is perfect for the desired light pattern output.

BRASS KNIGHTS
Niche Lights



Model Shown: SV8L-12-20



Adjustable face plate bracket

Specifications

- Voltage:** 12 & 24 Volt
- Construction:** Brass Cover, PBT Injection Molded Housing
- Finish:** Weathered Brass
- Mounting:** Surface Mount With Adjustable Face Plate
- Socket:** Beryllium Copper, pre-greased
- Weight:** **Sovereign 5:** 2.00 lbs., **Sovereign 8:** 2.55 lbs.
- Wire:** 25 Feet, Intelli-Flex Wire, Anti-Moisture Migration Connections
- Default Lamp: Sovereign 5:** 20 Watt Astro-Brite/Astro-Green (1)
- Default Lamp: Sovereign 8:** 20 Watt Astro-Brite/Astro-Green (2)
- Other Lamps Available**
- Maximum Wattage: Sovereign 5:** 20 Watts, **Sovereign 8:** 40 Watts
- 15 Year Warranty**



Fixture Finishes



Standard Finishes



WB - Weathered Brass



NB - Natural Brass

Stock Powder Coated Colors*



TT - Tucson Tan



WH - White



BK - Black



VG - Verde Green



TK-Titanium Knight

Custom Colors



Supply us with your custom PMS color and we will match it.

Please note that all Unique Lighting fixtures have a "Living Finish," and can be expected to vary in hue over time. Our fixtures come standard with our one-of-a-kind Weathered Brass finish or in a Natural Brass.

Additional colors may be achieved through a powder coating process. These colors are subject to varying lead times and will incur an added cost. A Limited Warranty applies to all powder coated products.

Custom colors are also available upon request. All custom color orders must come supplied with specific color documentation and are subject to varying lead times and costs.

*Stock powder coated colors displayed are subject to varying lead-times and will incur an additional cost. A Limited Warranty applies to all powder coated products. Custom colors are available upon request. Please inquire about cost and lead-times.



Unique Well Lights



A powerful in-ground well light, the F200 uses a PAR 36 35 watt wide flood lamp to cast an ample beam spread along any landscape element. Its dual cut body allows for surface flush or angled installation options. The featured patented stainless steel gimble ring holds the lamp in place while allowing vertical and horizontal adjustments within the ABS body.

The F100 also uses a PAR 36 wide flood lamp and comes standard with a rubber gimble ring and PVC Composite debris guard.

All Unique Lighting Well Lights are now available in brown (LB).



F200-B25-35-BK-G



Patented Stainless Steel Gimble Ring
PATENT # 6,502,967



LED Gimble Ring



F200-B25-35-LB-G



F200-B25-35-BK



F200-B25-35-LB



Rubber Gimble Ring



F100-B25-35-BK



F100-B25-35-LB

WELL LIGHTS



Unique Transformers



MULTI-MATIC SERIES - 12 VOLT

| PART # | WATTS | AVAILABLE TAPS |
|--------|-----------|--|
| 300SS | 300 Watt | 12 and 13 Volt |
| 360SS | 360 Watt | 12, 13, 14 and 15 Volt |
| 500SS | 500 Watt | 12, 13, 14, 15, 16 and 17 Volt |
| 600SS | 600 Watt | 12, 13, 14, 15, 16 and 17 Volt |
| 840SS | 840 Watt | 12, 13, 14, 15, 16, 18, and 20 Volt |
| 1120SS | 1120 Watt | 12, 13, 14, 15, 16, 18, 20 and 22 Volt |

I-FORCE - 12 VOLT

| PART # | WATTS | AVAILABLE TAPS |
|--------|----------|------------------------------------|
| 360IF | 360 Watt | 12, 13, 14 and 15 Volt |
| 500IF | 500 Watt | 12, 13, 14, 15, 16 and 17 Volt |
| 600IF | 600 Watt | 12, 13, 14, 15, 16 and 17 Volt |
| 840IF | 840 Watt | 12, 13, 14, 15, 16, 18 and 20 Volt |

H-FORCE - 12 VOLT

| PART # | WATTS | AVAILABLE TAPS |
|--------|-----------|---|
| 1120 | 1120 Watt | 12,13,14,14,15,15,16,17,18,19,20,21 and 22 Volt |
| *1500 | 1500 Watt | 12,13,14,14,15,15,16,17,18,19,20,21 and 22 Volt |
| *1838 | 1838 Watt | 12,13,14,14,15,15,16,17,18,19,20,21 and 22 Volt |

AQUATIC POOL & SPA SERIES - 12 VOLT

| PART # | WATTS | AVAILABLE TAPS |
|--------|----------|------------------------------------|
| 360PST | 360 Watt | 12, 13, 14 and 15 Volt |
| 840PST | 840 Watt | 12, 13, 14, 15, 16, 18 and 20 Volt |

SUBTERRANEAN IN-GROUND SERIES - 12 VOLT

| PART # | WATTS | AVAILABLE TAPS |
|--------|-----------|--|
| 360DB | 360 Watt | 12, 13, 14 and 15 Volt |
| 500DB | 500 Watt | 12, 13, 14, 15, 16 and 17 Volt |
| 600DB | 600 Watt | 12, 13, 14, 15, 16 and 17 Volt |
| 840DB | 840 Watt | 12, 13, 14, 15, 16, 18 and 20 Volt |
| 1120DB | 1120 Watt | 12, 13, 14, 15, 16, 18, 20 and 22 Volt |

INTELLI-MATIC SERIES - 24 VOLT

| PART # | WATTS | AVAILABLE TAPS |
|----------|-----------|---|
| 300SSSL | 300 Watt | 24 and 25 Volt |
| 360SSSL | 360 Watt | 24L, 24, 25 and 26 Volt |
| 600SSSL | 600 Watt | 24L, 24, 25, 26 and 27 Volt |
| 840SSSL | 840 Watt | 24L, 24, 25, 26, 27, and 28 Volt |
| 1120SSSL | 1120 Watt | 24L, 24, 25, 26, 27, 28, 29 and 30 Volt |

INTELLI-MATIC I-FORCE - 24 VOLT

| PART # | WATTS | AVAILABLE TAPS |
|--------|----------|-------------------------------------|
| 360IF | 360 Watt | 24L, 24, 25 and 26 Volt |
| 600IF | 600 Watt | 24L, 24, 25, 26 and 27 Volt |
| 840IF | 840 Watt | 24L, 24, 25, 26, 27, 28 and 30 Volt |

INTELLI-MATIC H-FORCE - 24 VOLT

| PART # | WATTS | AVAILABLE TAPS |
|--------|-----------|--|
| 1120 | 1120 Watt | 24L, 24L, 24, 24, 25, 25, 26, 26, 27, 27, 28, 29 and 30 Volt |
| *1500 | 1500 Watt | 24L, 24L, 24, 24, 25, 25, 26, 26, 27, 27, 28, 29 and 30 Volt |
| *1838 | 1838 Watt | 24L, 24L, 24, 24, 25, 25, 26, 26, 27, 27, 28, 29 and 30 Volt |

SUBTERRANEAN IN-GROUND SERIES - 24 VOLT

| PART # | WATTS | AVAILABLE TAPS |
|--------|-----------|---|
| 360DB | 360 Watt | 24L, 24, 25 and 26 Volt |
| 600DB | 600 Watt | 24L, 24, 25 and 26 Volt |
| 840DB | 840 Watt | 24L, 24, 25, 26, 27, and 28 Volt |
| 1120DB | 1120 Watt | 24L, 24, 25, 26, 27, 28, 29 and 30 Volt |

*1500 watt and 1838 watt H-Force and Intelli-Matic H-Force transformers must use a 5-20 receptical when using a power cord. These models also require a 20 amp dedicated circuit.

Unique Lighting Systems' transformers carry a limited lifetime warranty.

Other voltage options are available upon request.





Unique Transformers



H-Force Horizontal Transformer

The H-Force is the newest design in transformers. Available in three different wattage options, 1120, 1500 and 1838, the H-Force is the most powerful transformer in the low voltage lighting industry.

Features Include:

- Individually fused commons for each tap.
- 2 piece drop-in mounting system
- Hardware compartment
- SNPC ready
- Hinged lid and front panel for easy access
- PATENT PENDING



I-Force Inverted Transformer

Unique Lighting Systems continues to offer lighting professionals Innovative Lighting Solutions that Last a Lifetime. Introducing a newer member to the Unique family of multi-tap transformers...The I-Force Inverted Transformer.

Unprecedented in the industry, the I-Force transformer offers ease of installation unlike any other in the market today.

Features Include:

- Industry First top mounted installation capability
- Industry First hidden wire chase allowing trouble-free entrance and access to multiple low voltage cables
- Industry First Line voltage wiring compartment for hard wire capability
- A spacious work compartment
- Oversized colored terminal lugs ideal for multiple connections at each tap.
- Snap-in photocell ready
- Available in Weathered Brass (WB)

Subterranean In Ground Series

Unique Lighting Systems' Subterranean transformer is fully potted and sealed making it completely waterproof. Equipped with primary fuse protection and optional secondary in-line fusing the Subterranean is ideal for commercial projects or residential applications where concealing the power source is necessary.

Features Include:

- Single unit design
- Compact footprint
- Removable plug in lid for fixture mounting - 1/2-14 NPSM
- Separated primary and secondary compartments
- Conduit flats on all four sides



All available in 12 and 24 volt.



Unique Lamps



Longest Lamp Life Available

Two key items to consider before making your landscape lighting decision are lamp life and color of light emitted from the bulb. Being the innovator in the field, Unique uses lamps that produce the best illumination while lasting the longest period of time. All of Unique's Odyssey fixtures come with a high quality Halogen or Astro-Brite lamp that will last between 4,000 to 20,000 hours, giving you years of trouble-free operation. Most importantly, the lamps produce beautiful white light that preserves the natural color and aesthetics of your landscape and property.

Exclusive To Unique - Green Light & Astro-Brite Lamps

Unique's Green Light and Astro-Brite lamps give adequate light levels with minimum energy usage, ensuring Level 1 light output onto hard surfaces. With it's up to 20,000 hour rating, the Green Light and Astro-brite will out-last any other lamp. In addition,unlike halogen, the Green Light and Astro-Brite are unaffected by the oils on your fingers. All bi-pin sockets are beryllium copper to last a lifetime, along with being factory greased to prevent corrosion and pitting. It also incorporates an extra heavy-duty ceramic socket rated for 25 amps. All components are replaceable.

Technical support at 1.800.955.9851





Unique Support & Protection



Support & Protection

With the highest quality fixtures and transformers, along with our Lifetime Warranty and Consumer Buyer Protection Plan, Unique Lighting Systems is your best choice in low voltage lighting.

If you have any questions about our products or services, please feel free to call Unique Lighting Systems at 800.955.9851 or visit us on the web at www.uniquelighting.com.

Unique Lighting is dedicated to supporting our customers. With our Power Management System and superior lighting components, performance and versatility are guaranteed.

Our Consumer Buyer Protection Plan guarantees our system and ensures you that we stand behind our products.

Along with our Protection Plan, Unique Lighting provides technical assistance, design help and contractor referrals to ensure that your lighting portrait remains beautiful for a lifetime.





In This Photo:



North Star
Frosted lens
Sphere base



Lunar
Frosted lens
Stratosphere bracket



Probe-OSM
Frosted lens
Stratosphere bracket



In This Photo:

*Intelli-Fiber Optic lights used to illuminate within 10' radius of pool.



Comet
Frosted lens
Sphere base



Probe-OSM
Linear lens
Stratosphere bracket



Crusader
Mounting bracket



Pulsar
Frosted lens
Hex louver



Centaurus 6
Area Enhancement
24", 36" & 48" stems
Frosted lens



Envoy
8" stem



Enterprise
Frosted lens



Polaris
Frosted lens



Gemini/Viking



Orion
Frosted lens



Stellar
TruLite lens
Unibracket
6" riser



Comet
Frosted lens
Flush mount



Augusta

In This Photo:



Crusader
Mounting bracket



Lancaster



Guardian



Oxford
6" riser



Illuminator 4
Frosted lens





In This Photo:

Probe-OBM

Linear lens
Stratosphere bracket

Probe-OSM

Frosted lens
Stratosphere bracket

Stellar

TruLite lens
20K hr. Green Light lamp
Stratosphere bracket

Nova

Frosted lens
Nova Star Grate

Apollo

Frosted lens
Eclipse Glare Shield





In This Photo:



Orion
Frosted lens



Gemini/Viking



Augusta



Nova
Frosted lens



Stellar
Spread lens
Sphere base



Comet
Frosted lens
Flush mount



Centaurus 6
Frosted lens
24" stem

In This Photo:



Probe-OSM
Frosted lens
Sphere base



Quasar 2
Frosted lens



Voyager
Frosted lens
20K hr. Green Light lamp



Endeavour
60" tall





Unique Product Warranty



TRANSFORMERS

Transformers have a limited lifetime warranty for repair or replacement. This warranty covers all parts and components, with the exception of the timer and the photo-cell. Those items carry their original manufacturer's warranty.

ODYSSEY FIXTURES

Odyssey fixtures have a limited lifetime warranty for repair or replacement. This warranty covers all parts and components, with the exception of the lamp. Fixtures in Natural and Weathered Brass are a living finish and are intended to change color or patina over time.

COPPER KNIGHTS FIXTURES

Copper Knights fixtures have a 15 year warranty for repair or replacement. This warranty covers all parts and components with the exception of the lamp. Fixtures in Natural Copper are a living finish and are intended to change color or patina over time.

BRASS KNIGHTS FIXTURES

Brass Knights fixtures have a 15 year warranty for repair or replacement. This warranty covers all parts and components with the exception of the lamp. Fixtures in Natural and Weathered Brass are a living finish and are intended to change color or patina over time.

SIGNATURE SERIES FIXTURES

Signature Series fixtures have a limited lifetime warranty for repair or replacement. This warranty covers all parts and components with the exception of the lamp. Fixtures in Natural and Weathered Brass are a living finish and are intended to change color or patina over time.

POWDER COATING

Unique upholds a 10 year warranty for stock powder coated and additional color powder coated finishes. No warranty is included on the finish of custom colors.

CUSTOMER RETURNED GOODS PROCEDURES

To facilitate your return of warranty product, please follow the procedures as listed below:

Contact Unique Lighting at 800-955-4831. Request to speak with Technical Service. Technical Service will guide you through any possible troubleshooting measures. In the event that we are unable to solve the product problem, Technical Service will issue a Returned Material Authorization number (RMA). It is suggested that you keep a record of your RMA number for future reference. We also recommend your noting of the tracking information, this will assist should we or you need to follow up on the shipping and receipt of product. Should you have any questions regarding an outstanding RMA, please contact Customer Service at 800-955-9851.

UNIQUE LIGHTING SYSTEMS®

Professional Low Voltage Lighting Product Catalog



UNIQUE LIGHTING SYSTEMS

Always original....

Always first.