

# HELIOS DECK LIGHT

## Luminaire Specifications

**Voltage:** 12V

**Construction:** 316 Marine Grade Stainless Steel

**Weight:** 1.5 lbs

**Socket:** Ceramic G4 Bipin Socket

**Wattage:** Maximum 20 Watts

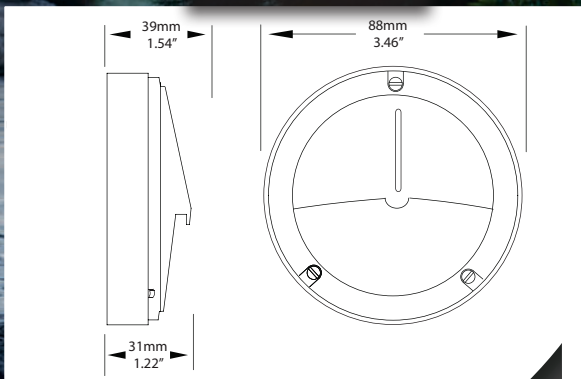
**Lens:** High Tempered, Clear Frosted Glass

**Mounting:** Vertical Surface Mounting

*Lamp Not Included*



## WTHELIOS



Helios, Illumicare's wall mount step light, is a compact, precision engineered luminaire designed for step and post lighting applications where you need the fixture to be elegant, yet unobtrusive. The contemporary design of the shield masks two thirds of the light output, which eliminates unsightly glare.

Illumicare's wall mount fixtures use miniature G4 bipin lamps to achieve a soft, ambient light, while still providing enough illumination for comfort and safe passage.

Helios is designed for mounting on the surface of masonry, stone or wood.

  
Enhance The Night

**EASILY CONVERTED  
TO LED WITH THE  
APPROPRIATE BULB**

**Enhance The Night - [www.landlight.ca](http://www.landlight.ca)**