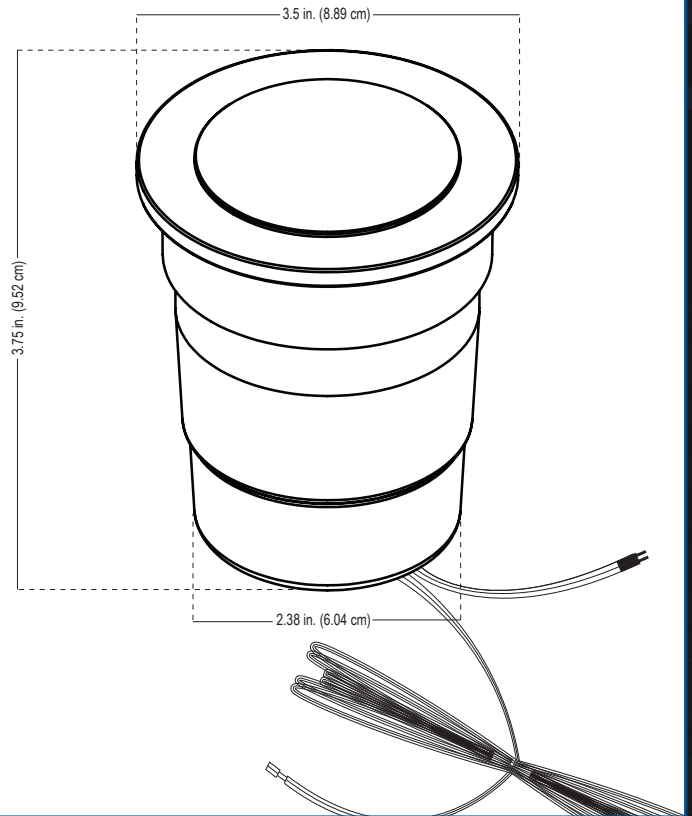


BRASS MR16 WELL



WTGL150



Specifications and Features:

Body: Brass fixture, aged brass finish

Lens: Clear convex lens

Base: Solid brass fixture base with two rubber gasket seals

Shroud: Solid brass shroud with sealed lens

Socket: Spring loaded ceramic bi-pin socket with dual contact and lamp clips

Wire: Industry First, double wire lead pre-connected to the fixture, 16 awg (UL listed), brown
-25 foot wire lead, pre-stripped for easy wire connection
-18 inch wire lead, LED connection ready

Warranty: Lifetime warranty on fixture housing

Certifications: Complies with the requirements of UL-1838 and CAN/CSA-C22.2 No. 250.7. Identified with the ETL and cETL Listed Mark.



**EASILY CONVERTED
TO LED WITH THE
APPROPRIATE BULB**

Enhance The Night - www.landlight.ca